

爱普科斯(EPCOS)产品简介 2016

# 功率因数校正

PhaseCap Energy系列B25674, B25675

PhaseCap Energy系列电力电容器用于功率因数校正(PFC)。

做为新一代PhaseCap系列产品, PhaseCap Energy在设计上同原系列产品相比较, 做了很多增强和改进。

新系列产品分为两个版本:

- B25674 – 充气式
  - B25675 – 充可降解树脂式
- 产品电压等级从230 VAC至690 VAC, 输出功率范围从5 Kvar至33 Kvar。

爱普科斯新系列产品的  
主要改进包括:

- 同其它系列产品比较, 新产品具有较高的预期使用寿命 200,000小时
- 抗浪涌电流设计增加25%至  $500 \cdot I_R$
- 高稳定性, 相比其它系列产品提高150%

保持原有的PhaseCap系列产品的特性:




- MKK技术
- 3相过压分离保护装置
- 自带放电模块
- 波纹切割及厚边技术

# PQS



# PhaseCap Energy系列



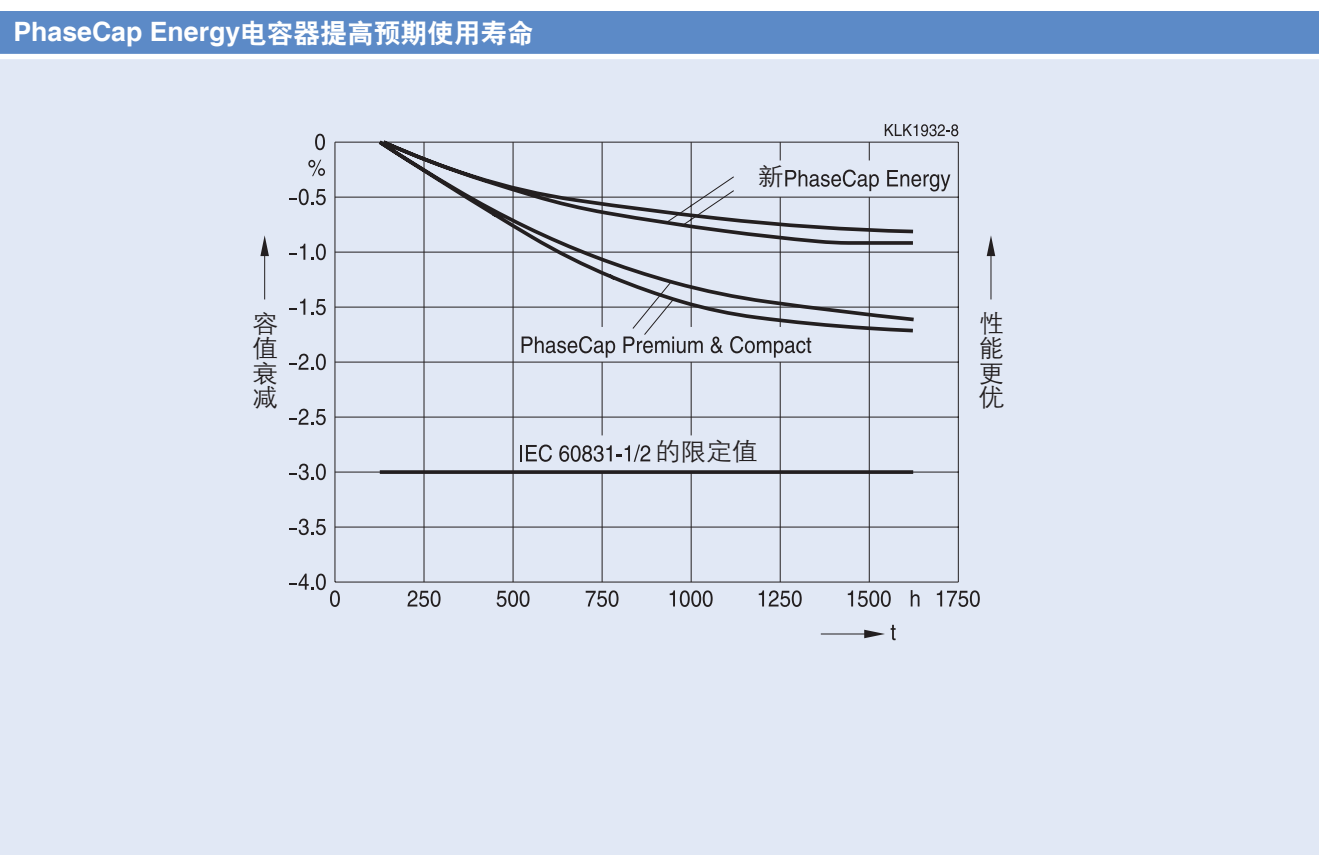
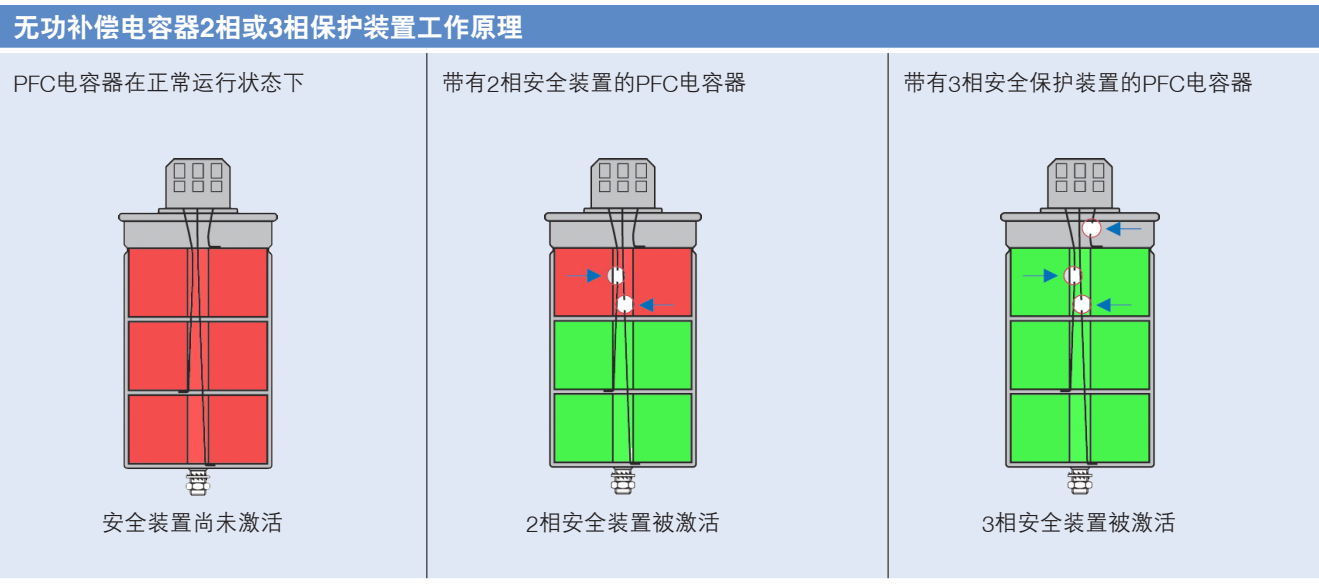
产品特点 and 优势	
<b>产品结构</b>	
绕卷结构	叠层绕组结构
技术	MKK技术, 聚丙烯膜
波纹切割	特殊的薄膜切割技术同普通的直边技术比较, 保证了较低的接触损耗以及较高的冲击涌流承受能力
设计	较其它产品系列, 体积小, 在应用中有较高的安装密度
外壳/安装	带有螺栓的圆柱形金属铝罐, 易于安装, 可以垂直或水平安装
冷却	自然冷却或强迫风冷
<b>电气性能</b>	
预期使用寿命	充气式: 至180,000 h (温度等级 -40/D)和160,000 h (温度等级 -40/60) 充树脂式: 至 200,000 h (温度等级 -40/D)和180,000 h (温度等级 -40/60) 降低维护和替换成本
冲击涌流	至 $500 \cdot I_R$ 在高谐波和过电流的情况下, 保持产品最佳性能
投切次数	最高15,000次每年
电压范围	230 ... 690 V AC
输出	5 ... 33 kvar
频率	50/60 Hz
<b>安全性</b>	
自愈性	在电容器内部发生电气击穿 受影响的区域会被自动修复, 在整个过程中, 电容器仍然可以正常运行, 而容值的损失可以忽略不计
过压分离装置	在电容器过压分离装置被激活或电容器到达使用寿命的时候, 所有的三相导线将会被分断
灌注材料	两种类型的填充材料: B25674A* - 干式充气式 B25675A* - 半干式可降解软树脂; 非PCB
端子结构	优化安全端子结构, 防护等级IP20。预安装陶瓷放电电阻或放电模块。端子类型适用于线缆横截面积16 mm <sup>2</sup> 或25 mm <sup>2</sup> , 最大扭矩1.2或2 Nm.
<b>产品认证</b>	
	IEC 60831-1/2 Edition 3.0 (2014) – 已有证书
	UL 810-5th edition – 证书申请中
	IS 13340-1/2 (1993, 2012)
	IEC 60831-1/2 Edition 3.0 (2014) – 证书申请中
<b>产品范围</b>	
订货代码/型号	B25674* – 充气式 B25675* – 充树脂式

# PhaseCap Energy系列



## 过压分离装置

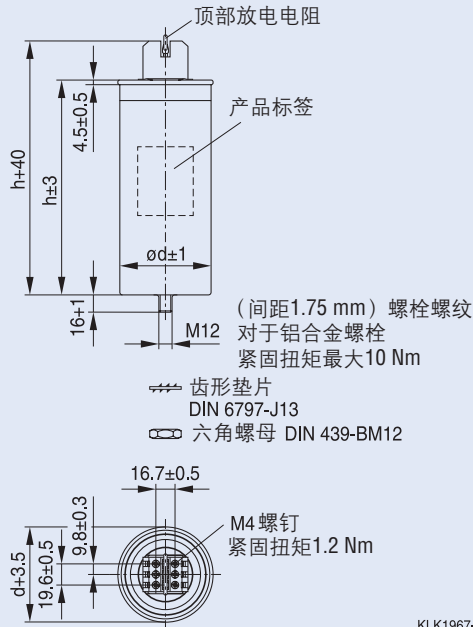
电容器的过压分离装置在密封铝罐内部压力超过门限或电容器濒临使用寿命时被激活，所有的三相导线都会被拉断，电容器可以从电网中安全脱离。



# PhaseCap Energy系列

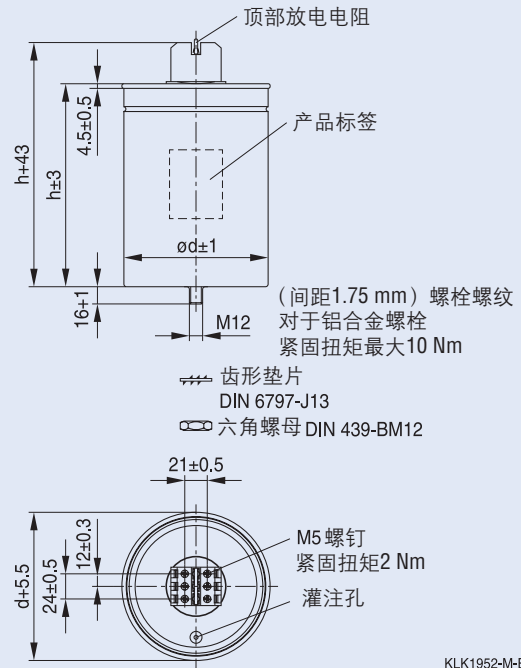
## 尺寸图

### A型端子



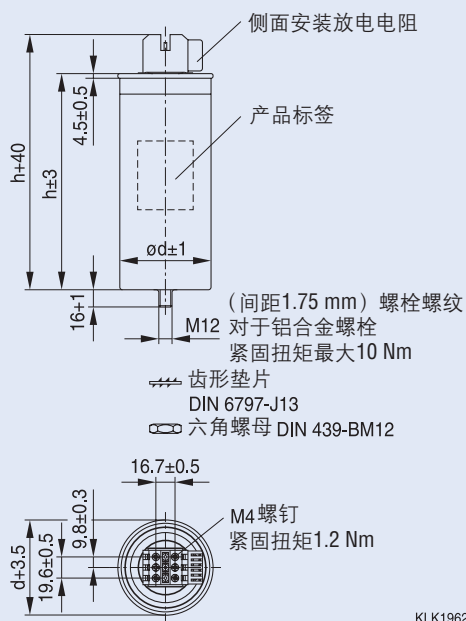
KLK1967-1-E

### B型端子



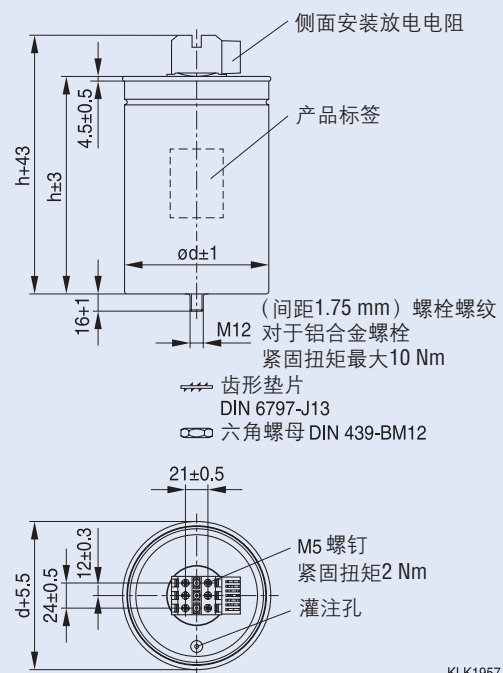
KLK1952-M-E

### C型端子



KLK1962-U-E

### D型端子



KLK1957-T-E

# PhaseCap Energy系列



订货号 - 充气式									
订货号	型号	额定容值 R <sub>r</sub> μF	额定输出功率和 电流 50 Hz		额定输出功率 和电流 60 Hz		尺寸 d x h mm	重量 (近似) kg	端子 类型
			kvar	A	kvar	A			
<b>额定电压230 V AC, 三角形连接</b>									
B25674A2052J030	MKK230-D-5.0-03	3 x 100.3	5.0	12.6	6.0	15.1	75 x 218	0.9	A
B25674A2072J530	MKK230-D-7.5-03	3 x 150.4	7.5	18.8	9.0	22.6	100 x 192	1.4	B
B25674A2102J030	MKK230-D-10.0-03	3 x 200.5	10.0	25.1	12.0	30.1	100 x 224	1.7	B
B25674A2122J530	MKK230-D-12.5-03	3 x 250.7	12.5	31.4	15.0	37.7	116 x 207	2.1	B
B25674A2152J030	MKK230-D-15.0-03	3 x 300.8	15.0	37.7	-	-	125 x 207	2.4	B
<b>额定电压400 V AC, 三角形连接</b>									
B25674A4052J000	MKK400-D-5.0-03	3 x 33.2	5.0	7.2	6.0	8.7	75 x 164	0.7	A
B25674A4062J300	MKK400-D-6.3-03	3 x 41.8	6.3	9.1	7.6	11.0	75 x 164	0.7	A
B25674A4072J500	MKK400-D-7.5-03	3 x 49.7	7.5	10.8	9.0	13.0	75 x 200	0.8	A
B25674A4082J300	MKK400-D-8.3-03	3 x 55.0	8.3	12.0	10.0	14.4	75 x 200	0.8	A
B25674A4102J400	MKK400-D-10.4-03	3 x 69.0	10.4	15.0	12.5	18.0	75 x 218	0.9	A
B25674A4122J500	MKK400-D-12.5-03	3 x 82.9	12.5	18.0	15.0	21.7	85 x 200	1.1	A
B25674A4152J000	MKK400-D-15.0-03	3 x 99.5	15.0	21.7	18.0	26.0	85 x 218	1.2	A
B25674A4162J700	MKK400-D-16.7-03	3 x 110.7	16.7	24.1	20.0	28.9	100 x 207	1.6	B
B25674A4202J000	MKK400-D-20.0-03	3 x 132.6	20.0	28.9	24.0	34.6	100 x 224	1.7	B
B25674A4252J000	MKK400-D-25.0-03	3 x 165.8	25.0	36.1	30.0	43.3	116 x 192	1.9	B
B25674A4282J100	MKK400-D-28.1-03	3 x 186.3	28.1	40.6	-	-	125 x 192	2.3	B
B25674A4302J000	MKK400-D-30.0-03	3 x 198.9	30.0	43.3	-	-	116 x 224	2.3	B
B25674A4332J000	MKK400-D-33.0-03	3 x 218.8	33.0	47.6	-	-	125 x 207	2.4	B
<b>额定电压415 V AC, 三角形连接</b>									
B25674A4052J015	MKK415-D-5.0-03	3 x 30.8	5.0	7.0	6.0	8.3	75 x 164	0.7	A
B25674A4062J315	MKK415-D-6.3-03	3 x 38.8	6.3	8.8	7.6	10.6	75 x 164	0.7	A
B25674A4072J515	MKK415-D-7.5-03	3 x 46.2	7.5	10.4	9.0	12.5	75 x 200	0.8	A
B25674A4082J315	MKK415-D-8.3-03	3 x 51.1	8.3	11.5	10.0	13.9	75 x 200	0.8	A
B25674A4102J415	MKK415-D-10.4-03	3 x 64.1	10.4	14.5	12.5	17.4	75 x 200	0.8	A
B25674A4122J515	MKK415-D-12.5-03	3 x 77.0	12.5	17.4	15.0	20.9	85 x 200	1.1	A
B25674A4152J015	MKK415-D-15.0-03	3 x 92.4	15.0	20.9	18.0	25.0	85 x 200	1.1	A
B25674A4162J715	MKK415-D-16.7-03	3 x 102.9	16.7	23.2	20.0	27.8	100 x 207	1.6	B
B25674A4202J015	MKK415-D-20.0-03	3 x 123.2	20.0	27.8	24.0	33.4	100 x 207	1.6	B
B25674A4252J015	MKK415-D-25.0-03	3 x 154.0	25.0	34.8	30.0	41.7	116 x 192	1.9	B
B25674A4282J115	MKK415-D-28.1-03	3 x 173.1	28.1	39.1	-	-	116 x 207	2.1	B
B25674A4302J015	MKK415-D-30.0-03	3 x 184.8	30.0	41.7	-	-	116 x 207	2.1	B
B25674A4332J015	MKK415-D-33.0-03	3 x 203.3	33.0	45.9	-	-	116 x 224	2.3	B
<b>额定电压440 V AC, 三角形连接</b>									
B25674A4052J040	MKK440-D-5.0-03	3 x 27.4	5.0	6.6	6.0	7.9	75 x 164	0.7	A
B25674A4062J040	MKK440-D-6.0-03	3 x 32.9	6.0	7.9	7.2	9.4	75 x 164	0.7	A
B25674A4062J340	MKK440-D-6.3-03	3 x 34.5	6.3	8.3	7.6	10.0	75 x 164	0.7	A
B25674A4072J040	MKK440-D-7.0-03	3 x 38.4	7.0	9.2	8.4	11.0	75 x 200	0.8	A
B25674A4072J540	MKK440-D-7.5-03	3 x 41.1	7.5	9.8	9.0	11.8	75 x 200	0.8	A
B25674A4082J040	MKK440-D-8.0-03	3 x 43.8	8.0	10.5	9.6	12.6	75 x 200	0.8	A
B25674A4082J340	MKK440-D-8.3-03	3 x 45.5	8.3	10.9	10.0	13.1	75 x 200	0.8	A
B25674A4092J040	MKK440-D-9.0-03	3 x 49.3	9.0	11.8	10.8	14.2	75 x 200	0.8	A

# PhaseCap Energy系列



订货号 - 充气式									
订货号	型号	额定容值 R <sub>r</sub> μF	额定输出功率和 电流 50 Hz		额定输出功率 和电流 60 Hz		尺寸 d x h mm	重量 (近似) kg	端子 类型
			kvar	A	kvar	A			
<b>额定电压440 V AC, 三角形连接</b>									
B25674A4102J040	MKK440-D-10.0-03	3 x 54.8	10.0	13.1	12.0	15.7	75 x 200	0.8	A
B25674A4102J440	MKK440-D-10.4-03	3 x 57.0	10.4	13.6	12.5	16.4	85 x 200	1.1	A
B25674A4122J040	MKK440-D-12.0-03	3 x 65.8	12.0	15.7	14.4	18.9	85 x 200	1.1	A
B25674A4122J540	MKK440-D-12.5-03	3 x 68.5	12.5	16.4	15.0	19.7	85 x 200	1.1	A
B25674A4142J240	MKK440-D-14.2-03	3 x 77.8	14.2	18.6	17.0	22.3	85 x 200	1.1	A
B25674A4152J040	MKK440-D-15.0-03	3 x 82.2	15.0	19.7	18.0	23.6	85 x 218	1.2	A
B25674A4182J840	MKK440-D-18.8-03	3 x 103.0	18.8	24.7	22.6	29.7	100 x 207	1.6	B
B25674A4202J040	MKK440-D-20.0-03	3 x 109.6	20.0	26.2	24.0	31.5	100 x 207	1.6	B
B25674A4162J740	MKK440-D-16.7-03	3 x 91.5	16.7	21.9	20.0	26.2	100 x 207	1.6	B
B25674A4252J040	MKK440-D-25.0-03	3 x 137.0	25.0	32.8	30.0	39.4	116 x 192	1.9	B
B25674A4282J140	MKK440-D-28.1-03	3 x 154.0	28.1	36.9	-	-	116 x 207	2.1	B
B25674A4302J040	MKK440-D-30.0-03	3 x 164.4	30.0	39.4	-	-	125 x 192	2.3	B
B25674A4332J140	MKK440-D-33.1-03	3 x 181.4	33.1	43.4	-	-	116 x 224	2.3	B
<b>额定电压480 V AC, 三角形连接</b>									
B25674A4052J080	MKK480-D-5.0-03	3 x 23.0	5.0	6.0	6.0	7.2	75 x 164	0.7	A
B25674A4062J380	MKK480-D-6.3-03	3 x 29.0	6.3	7.6	7.6	9.1	75 x 164	0.7	A
B25674A4072J580	MKK480-D-7.5-03	3 x 34.5	7.5	9.0	9.0	10.8	75 x 200	0.8	A
B25674A4082J380	MKK480-D-8.3-03	3 x 38.2	8.3	10.0	10.0	12.0	75 x 200	0.8	A
B25674A4102J480	MKK480-D-10.4-03	3 x 47.9	10.4	12.5	12.5	15.0	75 x 200	0.8	A
B25674A4112J080	MKK480-D-11.0-03	3 x 50.7	11.0	13.2	13.2	15.9	85 x 200	1.1	A
B25674A4122J580	MKK480-D-12.5-03	3 x 57.6	12.5	15.0	15.0	18.0	85 x 200	1.1	A
B25674A4132J880	MKK480-D-13.8-03	3 x 63.5	13.8	16.6	16.6	20.0	85 x 200	1.1	A
B25674A4152J080	MKK480-D-15.0-03	3 x 69.1	15.0	18.0	18.0	21.7	100 x 207	1.6	B
B25674A4162J780	MKK480-D-16.7-03	3 x 76.9	16.7	20.1	20.0	24.1	100 x 207	1.6	B
B25674A4202J080	MKK480-D-20.0-03	3 x 92.1	20.0	24.1	24.0	28.9	100 x 207	1.6	B
B25674A4202J880	MKK480-D-20.8-03	3 x 95.8	20.8	25.0	25.0	30.1	116 x 207	2.1	B
B25674A4222J080	MKK480-D-22.0-03	3 x 101.3	22.0	26.5	26.4	31.8	116 x 207	2.1	B
B25674A4252J080	MKK480-D-25.0-03	3 x 115.1	25.0	30.1	30.0	36.1	116 x 192	1.9	B
B25674A4282J180	MKK480-D-28.1-03	3 x 129.4	28.1	33.8	-	-	116 x 207	2.1	B
B25674A4302J080	MKK480-D-30.0-03	3 x 138.1	30.0	36.1	-	-	125 x 192	2.3	B
B25674A4312J080	MKK480-D-31.0-03	3 x 142.7	31.0	37.3	-	-	125 x 192	2.3	B
B25674A4332J080	MKK480-D-33.0-03	3 x 152.0	33.0	39.7	-	-	116 x 224	2.3	B
<b>额定电压525 V AC, 三角形连接</b>									
B25674A5052J025	MKK525-D-5.0-03	3 x 19.2	5.0	5.5	6.0	6.6	75 x 164	0.7	A
B25674A5062J325	MKK525-D-6.3-03	3 x 24.2	6.3	6.9	7.6	8.4	75 x 164	0.7	A
B25674A5072J525	MKK525-D-7.5-03	3 x 28.9	7.5	8.2	9.0	9.9	75 x 185	0.8	A
B25674A5082J325	MKK525-D-8.3-03	3 x 31.9	8.3	9.1	10.0	11.0	75 x 200	0.8	A
B25674A5102J425	MKK525-D-10.4-03	3 x 40.0	10.4	11.4	12.5	13.7	85 x 185	1.0	A
B25674A5122J525	MKK525-D-12.5-03	3 x 48.1	12.5	13.7	15.0	16.5	85 x 200	1.1	A
B25674A5132J225	MKK525-D-13.2-03	3 x 50.8	13.2	14.5	15.8	17.4	85 x 200	1.1	A

# PhaseCap Energy系列



订货号 - 充气式									
订货号	型号	额定容值 R <sub>r</sub> μF	额定输出功率和 电流 50 Hz		额定输出功率 和电流 60 Hz		尺寸 d x h mm	重量 (近似) kg	端子 类型
			kvar	A	kvar	A			
<b>额定电压525 V AC, 三角形连接</b>									
B25674A5152J025	MKK525-D-15.0-03	3 x 57.7	15.0	16.5	18.0	19.8	85 x 218	1.2	A
B25674A5162J725	MKK525-D-16.7-03	3 x 64.3	16.7	18.4	20.0	22.0	100 x 207	1.6	B
B25674A5202J025	MKK525-D-20.0-03	3 x 77.0	20.0	22.0	24.0	26.4	100 x 224	1.7	B
B25674A5202J825	MKK525-D-20.8-03	3 x 80.1	20.8	22.9	25.0	27.5	100 x 224	1.7	B
B25674A5252J025	MKK525-D-25.0-03	3 x 96.2	25.0	27.5	30.0	33.0	116 x 207	2.1	B
B25674A5262J525	MKK525-D-26.5-03	3 x 102.0	26.5	29.1	31.8	35.0	116 x 207	2.1	B
B25674A5282J125	MKK525-D-28.1-03	3 x 108.2	28.1	30.9	-	-	125 x 192	2.3	B
B25674A5302J025	MKK525-D-30.0-03	3 x 115.5	30.0	33.0	-	-	125 x 207	2.4	B
B25674A5332J125	MKK525-D-33.1-03	3 x 127.4	33.1	36.4	-	-	136 x 192	2.7	B
<b>额定电压600 V AC, 三角形连接</b>									
B25674A6052J300	MKK600-D-5.3-03	3 x 15.6	5.3	5.1	6.4	6.2	75 x 185	0.8	C
B25674A6062J200	MKK600-D-6.2-03	3 x 18.3	6.2	6.0	7.4	7.1	75 x 185	0.8	C
B25674A6062J900	MKK600-D-6.9-03	3 x 20.3	6.9	6.6	8.3	8.0	75 x 200	0.8	C
B25674A6082J300	MKK600-D-8.3-03	3 x 24.5	8.3	8.0	10.0	9.6	75 x 218	0.9	C
B25674A6102J400	MKK600-D-10.4-03	3 x 30.6	10.4	10.0	12.5	12.0	85 x 200	1.1	C
B25674A6122J500	MKK600-D-12.5-03	3 x 36.8	12.5	12.0	15.0	14.4	100 x 192	1.4	D
B25674A6132J900	MKK600-D-13.9-03	3 x 41.0	13.9	13.4	16.7	16.1	100 x 207	1.6	D
B25674A6142J600	MKK600-D-14.6-03	3 x 43.0	14.6	14.0	17.5	16.8	100 x 207	1.6	D
B25674A6162J700	MKK600-D-16.7-03	3 x 49.2	16.7	16.1	20.0	19.2	100 x 224	1.7	D
B25674A6202J000	MKK600-D-20.0-03	3 x 58.9	20.0	19.2	24.0	23.1	116 x 207	2.1	D
B25674A6202J800	MKK600-D-20.8-03	3 x 61.3	20.8	20.0	25.0	24.1	116 x 207	2.1	D
B25674A6252J000	MKK600-D-25.0-03	3 x 73.7	25.0	24.1	30.0	28.9	125 x 207	2.4	D
B25674A6282J000	MKK600-D-28.0-03	3 x 82.5	28.0	26.9	-	-	136 x 192	2.7	D
B25674A6302J000	MKK600-D-30.0-03	3 x 88.4	30.0	28.9	-	-	136 x 207	2.9	D
<b>额定电压690 V AC, 三角形连接</b>									
B25674A6052J390	MKK690-D-5.3-03	3 x 11.8	5.3	4.4	6.4	5.4	75 x 185	0.8	C
B25674A6062J290	MKK690-D-6.2-03	3 x 13.8	6.2	5.2	7.4	6.2	75 x 200	0.8	C
B25674A6062J990	MKK690-D-6.9-03	3 x 15.4	6.9	5.8	8.3	6.9	75 x 200	0.8	C
B25674A6082J390	MKK690-D-8.3-03	3 x 18.5	8.3	6.9	10.0	8.4	75 x 200	0.8	C
B25674A6102J490	MKK690-D-10.4-03	3 x 23.2	10.4	8.7	12.5	10.5	75 x 200	0.8	C
B25674A6122J590	MKK690-D-12.5-03	3 x 27.9	12.5	10.5	15.0	12.6	85 x 200	1.1	C
B25674A6132J990	MKK690-D-13.9-03	3 x 31.0	13.9	11.6	16.7	14.0	85 x 200	1.1	C
B25674A6142J690	MKK690-D-14.6-03	3 x 32.5	14.6	12.2	17.5	14.6	100 x 207	1.6	D
B25674A6162J790	MKK690-D-16.7-03	3 x 37.2	16.7	14.0	20.0	16.7	100 x 192	1.4	D
B25674A6202J090	MKK690-D-20.0-03	3 x 44.6	20.0	16.7	24.0	20.1	100 x 207	1.6	D
B25674A6202J890	MKK690-D-20.8-03	3 x 46.3	20.8	17.4	25.0	20.9	100 x 224	1.7	D
B25674A6252J090	MKK690-D-25.0-03	3 x 55.7	25.0	20.9	30.0	25.1	116 x 192	1.9	D
B25674A6282J090	MKK690-D-28.0-03	3 x 62.4	28.0	23.4	-	-	116 x 207	2.1	D
B25674A6302J090	MKK690-D-30.0-03	3 x 66.8	30.0	25.1	-	-	125 x 192	2.3	D



# PhaseCap Energy系列



订货号 - 充树脂									
订货号	型号	额定容值 R <sub>r</sub> μF	额定输出功率和 电流 50 Hz		额定输出功率 和电流 60 Hz		尺寸 d x h mm	重量 (近似) kg	端子 类型
			kvar	A	kvar	A			
<b>额定电压230 V AC, 三角形连接</b>									
B25675A2052J030	MKK230-D-5.0-04	3 x 100.3	5.0	12.6	6.0	15.1	75 x 218	1.1	A
B25675A2072J530	MKK230-D-7.5-04	3 x 150.4	7.5	18.8	9.0	22.6	100 x 192	1.8	B
B25675A2102J030	MKK230-D-10.0-04	3 x 200.5	10.0	25.1	12.0	30.1	100 x 224	2.1	B
B25675A2122J530	MKK230-D-12.5-04	3 x 250.7	12.5	31.4	15.0	37.7	116 x 207	2.6	B
B25675A2152J030	MKK230-D-15.0-04	3 x 300.8	15.0	37.7	-	-	125 x 207	3.0	B
<b>额定电压400 V AC, 三角形连接</b>									
B25675A4052J000	MKK400-D-5.0-04	3 x 33.2	5.0	7.2	6.0	8.7	75 x 164	0.9	A
B25675A4062J300	MKK400-D-6.3-04	3 x 41.8	6.3	9.1	7.6	11.0	75 x 164	0.9	A
B25675A4072J500	MKK400-D-7.5-04	3 x 49.7	7.5	10.8	9.0	13.0	75 x 200	1.1	A
B25675A4082J300	MKK400-D-8.3-04	3 x 55.0	8.3	12.0	10.0	14.4	75 x 200	1.1	A
B25675A4102J400	MKK400-D-10.4-04	3 x 69.0	10.4	15.0	12.5	18.0	75 x 218	1.1	A
B25675A4122J500	MKK400-D-12.5-04	3 x 82.9	12.5	18.0	15.0	21.7	85 x 200	1.3	A
B25675A4152J000	MKK400-D-15.0-04	3 x 99.5	15.0	21.7	18.0	26.0	85 x 218	1.5	A
B25675A4162J700	MKK400-D-16.7-04	3 x 110.7	16.7	24.1	20.0	28.9	100 x 207	1.9	B
B25675A4202J000	MKK400-D-20.0-04	3 x 132.6	20.0	28.9	24.0	34.6	100 x 224	2.1	B
B25675A4252J000	MKK400-D-25.0-04	3 x 165.8	25.0	36.1	30.0	43.3	116 x 192	2.4	B
B25675A4282J100	MKK400-D-28.1-04	3 x 186.3	28.1	40.6	-	-	125 x 192	2.8	B
B25675A4302J000	MKK400-D-30.0-04	3 x 198.9	30.0	43.3	-	-	116 x 224	2.8	B
B25675A4332J000	MKK400-D-33.0-04	3 x 218.8	33.0	47.6	-	-	125 x 207	3.0	B
<b>额定电压415 V AC, 三角形连接</b>									
B25675A4052J015	MKK415-D-5.0-04	3 x 30.8	5.0	7.0	6.0	8.3	75 x 164	0.9	A
B25675A4062J315	MKK415-D-6.3-04	3 x 38.8	6.3	8.8	7.6	10.6	75 x 164	0.9	A
B25675A4072J515	MKK415-D-7.5-04	3 x 46.2	7.5	10.4	9.0	12.5	75 x 200	1.1	A
B25675A4082J315	MKK415-D-8.3-04	3 x 51.1	8.3	11.5	10.0	13.9	75 x 200	1.1	A
B25675A4102J415	MKK415-D-10.4-04	3 x 64.1	10.4	14.5	12.5	17.4	75 x 200	1.1	A
B25675A4122J515	MKK415-D-12.5-04	3 x 77.0	12.5	17.4	15.0	20.9	85 x 200	1.3	A
B25675A4152J015	MKK415-D-15.0-04	3 x 92.4	15.0	20.9	18.0	25.0	85 x 200	1.3	A
B25675A4162J715	MKK415-D-16.7-04	3 x 102.9	16.7	23.2	20.0	27.8	100 x 207	1.9	B
B25675A4202J015	MKK415-D-20.0-04	3 x 123.2	20.0	27.8	24.0	33.4	100 x 207	1.9	B
B25675A4252J015	MKK415-D-25.0-04	3 x 154.0	25.0	34.8	30.0	41.7	116 x 192	2.4	B
B25675A4282J115	MKK415-D-28.1-04	3 x 173.1	28.1	39.1	-	-	116 x 207	2.6	B
B25675A4302J015	MKK415-D-30.0-04	3 x 184.8	30.0	41.7	-	-	116 x 207	2.6	B
B25675A4332J015	MKK415-D-33.0-04	3 x 203.3	33.0	45.9	-	-	116 x 224	2.8	B
<b>额定电压440 V AC, 三角形连接</b>									
B25675A4052J040	MKK440-D-5.0-04	3 x 27.4	5.0	6.6	6.0	7.9	75 x 164	0.9	A
B25675A4062J040	MKK440-D-6.0-04	3 x 32.9	6.0	7.9	7.2	9.4	75 x 164	0.9	A
B25675A4062J340	MKK440-D-6.3-04	3 x 34.5	6.3	8.3	7.6	10.0	75 x 164	0.9	A
B25675A4072J040	MKK440-D-7.0-04	3 x 38.4	7.0	9.2	8.4	11.0	75 x 200	1.1	A
B25675A4072J540	MKK440-D-7.5-04	3 x 41.1	7.5	9.8	9.0	11.8	75 x 200	1.1	A
B25675A4082J040	MKK440-D-8.0-04	3 x 43.8	8.0	10.5	9.6	12.6	75 x 200	1.1	A



# PhaseCap Energy系列



订货号 - 充树脂									
订货号	型号	额定容值 R <sub>r</sub> μF	额定输出功率和 电流 50 Hz		额定输出功率 和电流 60 Hz		尺寸 d x h mm	重量 (近似) kg	端子 类型
			kvar	A	kvar	A			
<b>额定电压440 V AC, 三角形连接</b>									
B25675A4082J340	MKK440-D-8.3-04	3 x 45.5	8.3	10.9	10.0	13.1	75 x 200	1.1	A
B25675A4092J040	MKK440-D-9.0-04	3 x 49.3	9.0	11.8	10.8	14.2	75 x 200	1.1	A
B25675A4102J040	MKK440-D-10.0-04	3 x 54.8	10.0	13.1	12.0	15.7	75 x 200	1.1	A
B25675A4102J440	MKK440-D-10.4-04	3 x 57.0	10.4	13.6	12.5	16.4	85 x 200	1.3	A
B25675A4122J040	MKK440-D-12.0-04	3 x 65.8	12.0	15.7	14.4	18.9	85 x 200	1.3	A
B25675A4122J540	MKK440-D-12.5-04	3 x 68.5	12.5	16.4	15.0	19.7	85 x 200	1.3	A
B25675A4142J240	MKK440-D-14.2-04	3 x 77.8	14.2	18.6	17.0	22.3	85 x 200	1.3	A
B25675A4152J040	MKK440-D-15.0-04	3 x 82.2	15.0	19.7	18.0	23.6	85 x 218	1.5	A
B25675A4162J740	MKK440-D-16.7-04	3 x 91.5	16.7	21.9	20.0	26.2	100 x 207	1.9	B
B25675A4182J840	MKK440-D-18.8-04	3 x 103.0	18.8	24.7	22.6	29.7	100 x 207	1.9	B
B25675A4202J040	MKK440-D-20.0-04	3 x 109.6	20.0	26.2	24.0	31.5	100 x 207	1.9	B
B25675A4252J040	MKK440-D-25.0-04	3 x 137.0	25.0	32.8	30.0	39.4	116 x 192	2.4	B
B25675A4282J140	MKK440-D-28.1-04	3 x 154.0	28.1	36.9	-	-	116 x 207	2.6	B
B25675A4302J040	MKK440-D-30.0-04	3 x 164.4	30.0	39.4	-	-	125 x 192	2.8	B
B25675A4332J140	MKK440-D-33.1-04	3 x 181.4	33.1	43.4	-	-	116 x 224	2.8	B
<b>额定电压480 V AC, 三角形连接</b>									
B25675A4052J080	MKK480-D-5.0-04	3 x 23.0	5.0	6.0	6.0	7.2	75 x 164	0.9	A
B25675A4062J380	MKK480-D-6.3-04	3 x 29.0	6.3	7.6	7.6	9.1	75 x 164	0.9	A
B25675A4072J580	MKK480-D-7.5-04	3 x 34.5	7.5	9.0	9.0	10.8	75 x 200	1.1	A
B25675A4082J380	MKK480-D-8.3-04	3 x 38.2	8.3	10.0	10.0	12.0	75 x 200	1.1	A
B25675A4102J480	MKK480-D-10.4-04	3 x 47.9	10.4	12.5	12.5	15.0	75 x 200	1.1	A
B25675A4112J080	MKK480-D-11.0-04	3 x 50.7	11.0	13.2	13.2	15.9	85 x 200	1.3	A
B25675A4122J580	MKK480-D-12.5-04	3 x 57.6	12.5	15.0	15.0	18.0	85 x 200	1.3	A
B25675A4132J880	MKK480-D-13.8-04	3 x 63.5	13.8	16.6	16.6	20.0	85 x 200	1.3	A
B25675A4152J080	MKK480-D-15.0-04	3 x 69.1	15.0	18.0	18.0	21.7	100 x 207	1.9	B
B25675A4162J780	MKK480-D-16.7-04	3 x 76.9	16.7	20.1	20.0	24.1	100 x 207	1.9	B
B25675A4202J080	MKK480-D-20.0-04	3 x 92.1	20.0	24.1	24.0	28.9	100 x 207	1.9	B
B25675A4202J880	MKK480-D-20.8-04	3 x 95.8	20.8	25.0	25.0	30.1	116 x 207	2.6	B
B25675A4222J080	MKK480-D-22.0-04	3 x 101.3	22.0	26.5	26.4	31.8	116 x 207	2.6	B
B25675A4252J080	MKK480-D-25.0-04	3 x 115.1	25.0	30.1	30.0	36.1	116 x 192	2.4	B
B25675A4282J180	MKK480-D-28.1-04	3 x 129.4	28.1	33.8	-	-	116 x 207	2.6	B
B25675A4302J080	MKK480-D-30.0-04	3 x 138.1	30.0	36.1	-	-	125 x 192	2.8	B
B25675A4312J080	MKK480-D-31.0-04	3 x 142.7	31.0	37.3	-	-	125 x 192	2.8	B
B25675A4332J080	MKK480-D-33.0-04	3 x 152.0	33.0	39.7	-	-	116 x 224	2.8	B
<b>额定电压525 V AC, 三角形连接</b>									
B25675A5052J025	MKK525-D-5.0-04	3 x 19.2	5.0	5.5	6.0	6.6	75 x 164	0.9	A
B25675A5062J325	MKK525-D-6.3-04	3 x 24.2	6.3	6.9	7.6	8.4	75 x 164	0.9	A
B25675A5072J525	MKK525-D-7.5-04	3 x 28.9	7.5	8.2	9.0	9.9	75 x 185	1.0	A
B25675A5082J325	MKK525-D-8.3-04	3 x 31.9	8.3	9.1	10.0	11.0	75 x 200	1.1	A
B25675A5102J425	MKK525-D-10.4-04	3 x 40.0	10.4	11.4	12.5	13.7	85 x 185	1.2	A
B25675A5122J525	MKK525-D-12.5-04	3 x 48.1	12.5	13.7	15.0	16.5	85 x 200	1.3	A
B25675A5132J225	MKK525-D-13.2-04	3 x 50.8	13.2	14.5	15.8	17.4	85 x 200	1.3	A

# PhaseCap Energy系列



订货号 - 充树脂									
订货号	型号	额定容值 R <sub>r</sub> μF	额定输出功率和 电流 50 Hz		额定输出功率 和电流 60 Hz		尺寸 d x h mm	重量 (近似) kg	端子 类型
			kvar	A	kvar	A			
<b>额定电压525 V AC, 三角形连接</b>									
B25675A5152J025	MKK525-D-15.0-04	3 x 57.7	15.0	16.5	18.0	19.8	85 x 218	1.5	A
B25675A5162J725	MKK525-D-16.7-04	3 x 64.3	16.7	18.4	20.0	22.0	100 x 207	1.9	B
B25675A5202J025	MKK525-D-20.0-04	3 x 77.0	20.0	22.0	24.0	26.4	100 x 224	2.1	B
B25675A5202J825	MKK525-D-20.8-04	3 x 80.1	20.8	22.9	25.0	27.5	100 x 224	2.1	B
B25675A5252J025	MKK525-D-25.0-04	3 x 96.2	25.0	27.5	30.0	33.0	116 x 207	2.6	B
B25675A5262J525	MKK525-D-26.5-04	3 x 102.0	26.5	29.1	31.8	35.0	116 x 207	2.6	B
B25675A5282J125	MKK525-D-28.1-04	3 x 108.2	28.1	30.9	-	-	125 x 192	2.8	B
B25675A5302J025	MKK525-D-30.0-04	3 x 115.5	30.0	33.0	-	-	125 x 207	3.0	B
B25675A5332J125	MKK525-D-33.1-04	3 x 127.4	33.1	36.4	-	-	136 x 192	3.3	B
<b>额定电压600 V AC, 三角形连接</b>									
B25675A6052J300	MKK600-D-5.3-04	3 x 15.6	5.3	5.1	6.4	6.2	75 x 185	1.0	C
B25675A6062J200	MKK600-D-6.2-04	3 x 18.3	6.2	6.0	7.4	7.1	75 x 185	1.0	C
B25675A6062J900	MKK600-D-6.9-04	3 x 20.3	6.9	6.6	8.3	8.0	75 x 200	1.1	C
B25675A6082J300	MKK600-D-8.3-04	3 x 24.5	8.3	8.0	10.0	9.6	75 x 218	1.1	C
B25675A6102J400	MKK600-D-10.4-04	3 x 30.6	10.4	10.0	12.5	12.0	85 x 200	1.3	C
B25675A6122J500	MKK600-D-12.5-04	3 x 36.8	12.5	12.0	15.0	14.4	100 x 192	1.8	D
B25675A6132J900	MKK600-D-13.9-04	3 x 41.0	13.9	13.4	16.7	16.1	100 x 207	1.9	D
B25675A6142J600	MKK600-D-14.6-04	3 x 43.0	14.6	14.0	17.5	16.8	100 x 207	1.9	D
B25675A6162J700	MKK600-D-16.7-04	3 x 49.2	16.7	16.1	20.0	19.2	100 x 224	2.1	D
B25675A6202J000	MKK600-D-20.0-04	3 x 58.9	20.0	19.2	24.0	23.1	116 x 207	2.6	D
B25675A6202J800	MKK600-D-20.8-04	3 x 61.3	20.8	20.0	25.0	24.1	116 x 207	2.6	D
B25675A6252J000	MKK600-D-25.0-04	3 x 73.7	25.0	24.1	30.0	28.9	125 x 207	3.0	D
B25675A6282J000	MKK600-D-28.0-04	3 x 82.5	28.0	26.9	-	-	136 x 192	3.3	D
B25675A6302J000	MKK600-D-30.0-04	3 x 88.4	30.0	28.9	-	-	136 x 207	3.6	D
<b>额定电压690 V AC, 三角形连接</b>									
B25675A6052J390	MKK690-D-5.3-04	3 x 11.8	5.3	4.4	6.4	5.4	75 x 185	1.0	C
B25675A6062J290	MKK690-D-6.2-04	3 x 13.8	6.2	5.2	7.4	6.2	75 x 200	1.1	C
B25675A6062J990	MKK690-D-6.9-04	3 x 15.4	6.9	5.8	8.3	6.9	75 x 200	1.1	C
B25675A6082J390	MKK690-D-8.3-04	3 x 18.5	8.3	6.9	10.0	8.4	75 x 200	1.1	C
B25675A6102J490	MKK690-D-10.4-04	3 x 23.2	10.4	8.7	12.5	10.5	75 x 200	1.1	C
B25675A6122J590	MKK690-D-12.5-04	3 x 27.9	12.5	10.5	15.0	12.6	85 x 200	1.3	C
B25675A6132J990	MKK690-D-13.9-04	3 x 31.0	13.9	11.6	16.7	14.0	85 x 200	1.3	C
B25675A6142J690	MKK690-D-14.6-04	3 x 32.5	14.6	12.2	17.5	14.6	100 x 207	1.9	D
B25675A6162J790	MKK690-D-16.7-04	3 x 37.2	16.7	14.0	20.0	16.7	100 x 192	1.8	D
B25675A6202J090	MKK690-D-20.0-04	3 x 44.6	20.0	16.7	24.0	20.1	100 x 207	1.9	D
B25675A6202J890	MKK690-D-20.8-04	3 x 46.3	20.8	17.4	25.0	20.9	100 x 224	2.1	D
B25675A6252J090	MKK690-D-25.0-04	3 x 55.7	25.0	20.9	30.0	25.1	116 x 192	2.4	D
B25675A6282J090	MKK690-D-28.0-04	3 x 62.4	28.0	23.4	-	-	116 x 207	2.6	D
B25675A6302J090	MKK690-D-30.0-04	3 x 66.8	30.0	25.1	-	-	125 x 192	2.8	D

## EPCOS产品的订货代码

产品的订货代码和相同的爱普科斯产品可以在表述在诸如产品规格书、数据表、其它出版物、EPCOS网站上、或同订单有关的文件，如运单、订单确认函和产品标签等。订货代码的变化是表示在不影响各自的产品技术规格的情况下，由于使用了不同的生产工艺。详细信息可以在网站 [www.epcos.com/orderingcodes](http://www.epcos.com/orderingcodes) 上找到。



本出版物部分内容包括本公司产品在特定领域的适用性声明。这些声明基于我们对产品在特殊客户应用领域的特定要求的了解。客户有责任检查和确定爱普科斯产品是否具有适用于特定应用的特性。爱普科斯不时会对本刊物进行改动，恕不另行通知。爱普科斯产品已在规格书中进行了详细描述。必须严格遵守重要说明(<http://www.epcos-china.com/ImportantNotes>)、产品警告和注意事项。所有相关信息均可在爱普科斯销售处获取。