

Aluminum electrolytic capacitors

Single-ended capacitors

Series/Type: **B41868**
Date: September 2022

Long-life grade capacitors

Applications

- Automotive electronics

Features

- Very high operating temperature capability up to 150 °C
- High ripple current capability
- Long useful life
- Low ESR
- RoHS-compatible

Construction

- Radial leads
- Charge-discharge proof, polar
- Coated aluminum case
- Minus pole marking on the case
- Case with pressure relief vent

Delivery mode

Terminal configurations and packing:

- Bulk
- Taped, Ammo pack
- Cut
- PAPR (Protection Against Polarity Reversal):
J leads, bent leads

Refer to chapter "Single-ended capacitors - Taping, packing and lead configurations" for further details.



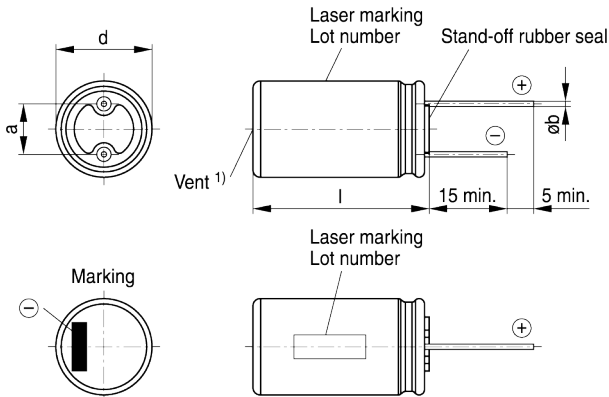
Specifications and characteristics in brief

Rated voltage V_R	25 ... 35 V DC		
Surge voltage V_S	$1.15 \cdot V_R$		
Rated capacitance C_R	560 ... 5600 μ F		
Capacitance tolerance	$\pm 20\% \triangleq M$		
Dissipation factor $\tan \delta$ (20 °C, 120 Hz)	For capacitance higher than 1000 μ F add 0.02 for every increase of 1000 μ F.		
	V_R (V DC)	25	35
	$\tan \delta$ (max.)	0.14	0.12
Leakage current I_{leak} (20 °C, 1 min)	$I_{leak} \leq 0.03 \mu A \cdot \left(\frac{C_R}{\mu F} \cdot \frac{V_R}{V} \right)$		
Self-inductance ESL	Diameter (mm)	12.5	16
	ESL (nH)	20	26
Useful life ¹⁾			Requirements:
125 °C; V_R ; $I_{AC,max}$	> 2000 h for d = 12.5 mm		$ \Delta C/C \leq 30\%$ of initial value
125 °C; V_R ; $I_{AC,max}$	> 2000 h for d \geq 16 mm		$\tan \delta \leq 3$ times initial specified limit
150 °C; V_R ; $I_{AC,R}$	> 1000 h for d = 12.5 mm		$I_{leak} \leq$ initial specified limit
150 °C; V_R ; $I_{AC,R}$	> 2000 h for d \geq 16 mm		
Voltage endurance test			Post test requirements:
150 °C; V_R	1000 h for d = 12.5 mm		$ \Delta C/C \leq 30\%$ of initial value
150 °C; V_R	2000 h for d \geq 16 mm		$\tan \delta \leq 3$ times initial specified limit
			$I_{leak} \leq$ initial specified limit
Shelf life ²⁾			Requirements:
150 °C, 0 V	1000 h		$ \Delta C/C \leq 30\%$ of initial value
			$\tan \delta \leq 3$ times initial specified limit
			$I_{leak} \leq$ initial specified limit
Vibration resistance test	To IEC 60068-2-6:2007, test Fc: Frequency range 10 Hz ... 2 kHz, displacement amplitude max. 1.5 mm, acceleration max. 20 g, duration 3 x 2 h. Capacitor rigidly clamped by the aluminum case e.g. using our standard fixture.		
IEC climatic category	To IEC 60068-1:2013: 40/150/56 (-40 °C/+150 °C/56 days damp heat test)		
Sectional specification	IEC 60384-4:2016 ³⁾		
Reference standard	AEC-Q200 REV D ⁴⁾		

- 1) Refer to chapter "General technical information, 5 Useful life" on how to interpret useful life.
- 2) Before the measurement, the capacitor shall be preconditioned by the application of the rated voltage for 1 hour. The voltage shall be applied to the capacitor through a resistor, the value of which shall be approximately 100 Ω .
- 3) Refer to chapter "General technical information, 2 Standards and specifications" for further details.
- 4) Refer to chapter "General technical information, 2.3 AEC-Q200 standard" for further details.

Dimensional drawing
With stand-off rubber seal

Diameters (mm): 12.5, 16, 18



¹⁾ Supplied components may have different vent designs.
They all offer the same functionality of pressure relief.

KAL1936-H-E

Dimensions and weights

Dimensions (mm)				Approx. weight g
$d \pm 0.5$	l	$a \pm 0.5$	b	
12.5	20 +2.0	5.0	0.60 ±0.05	3.6
12.5	25 +2.0	5.0	0.60 ±0.05	4.5
16	20 +2.0	7.5	0.80 ±0.05	5.5
16	25 +2.0	7.5	0.80 ±0.05	7.5
16	31.5 +2.0	7.5	0.80 ±0.05	7.8
16	35.5 +2.0	7.5	0.80 ±0.05	9.2
16	40 +2.0	7.5	0.80 ±0.05	11.5
18	20 +2.0	7.5	0.80 ±0.1	8.0
18	25 +2.0	7.5	0.80 ±0.1	9.0
18	31.5 +2.0	7.5	0.80 ±0.1	11.0
18	35 +2.0	7.5	0.80 ±0.1	13.0
18	40 +2.5	7.5	0.80 ±0.1	16.0

Overview of available types

Other voltage and capacitance ratings are available upon request.

V_R (V DC)	25	35
	Case dimensions d x l (mm)	
C_R (μ F)		
560		12.5 x 20
750		12.5 x 25
1100	12.5 x 20	16 x 20
1300		18 x 20
1500		16 x 25
1600	12.5 x 25	
1800	16 x 20	16 x 31.5 18 x 25
2100		16 x 35.5
2400	18 x 20	18 x 31.5
2700	16 x 25	16 x 40
3000	16 x 31.5	18 x 35
3600	18 x 25	18 x 40
3800	16 x 35.5	
3900	18 x 31.5	
4300	16 x 40	
4700	18 x 35	
5600	18 x 40	

Single-ended capacitors
B41868
High ripple current, very high operating temperature
Technical data and ordering codes

C_R 120 Hz 20 °C µF	Case dimensions d x l mm	ESR_{max} 100 kHz -40 °C Ω	ESR_{max} 100 kHz 20 °C Ω	$I_{AC,max}^{1)}$ 100 kHz 125 °C mA	$I_{AC,R}$ 100 kHz 150 °C mA	Ordering code (composition see below)
$V_R = 25$ V DC						
1100	12.5 x 20	0.96	0.080	2750	1100	B41868C5118M***
1600	12.5 x 25	0.75	0.062	3280	1310	B41868C5168M***
1800	16 x 20	0.72	0.060	3940	1470	B41868C5188M***
2400	18 x 20	0.69	0.058	4280	1600	B41868C5248M***
2700	16 x 25	0.57	0.048	4960	1860	B41868C5278M***
3000	16 x 31.5	0.44	0.037	6030	2260	B41868C5308M***
3600	18 x 25	0.50	0.042	5420	2030	B41868C5368M***
3800	16 x 35.5	0.39	0.033	6720	2520	B41868C5388M***
3900	18 x 31.5	0.38	0.032	7020	2630	B41868C5398M***
4300	16 x 40	0.33	0.027	7730	2900	B41868C5438M***
4700	18 x 35	0.37	0.031	7530	2830	B41868C5478M***
5600	18 x 40	0.31	0.026	8500	3190	B41868C5568M***
$V_R = 35$ V DC						
560	12.5 x 20	0.96	0.080	2750	1100	B41868C7567M***
750	12.5 x 25	0.75	0.062	3280	1310	B41868C7757M***
1100	16 x 20	0.72	0.060	3940	1470	B41868C7118M***
1300	18 x 20	0.69	0.058	4280	1600	B41868C7138M***
1500	16 x 25	0.57	0.048	4960	1860	B41868C7158M***
1800	16 x 31.5	0.44	0.037	6030	2260	B41868C7188M***
1800	18 x 25	0.50	0.042	5420	2030	B41868D7188M***
2100	16 x 35.5	0.39	0.033	6720	2520	B41868C7218M***
2400	18 x 31.5	0.38	0.032	7020	2630	B41868C7248M***
2700	16 x 40	0.33	0.027	7730	2900	B41868C7278M***
3000	18 x 35	0.37	0.031	7530	2830	B41868C7308M***
3600	18 x 40	0.31	0.026	8500	3190	B41868C7368M***

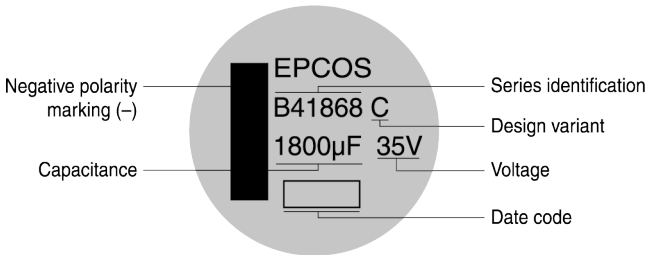
1) To achieve the maximum listed current, special care must be taken in the connection of the capacitor to the circuit as it depends on user assembly.

Composition of ordering code

*** = Version

- 000 = for standard leads, bulk
- 002 = for cut leads, bulk
- 004 = for J leads, blister
- 008 = for taped leads, Ammo pack, lead spacing F = 5.0 mm (for Ø 12.5 mm)
- 009 = for taped leads, Ammo pack, lead spacing F = 7.5 mm
(for d x l = 16 x 20 ... 16 x 31.5 mm and 18 x 20 ... 18 x 31.5 mm)
- 012 = for bent 90° leads, blister (for Ø 16 ... 18 mm)

Marking



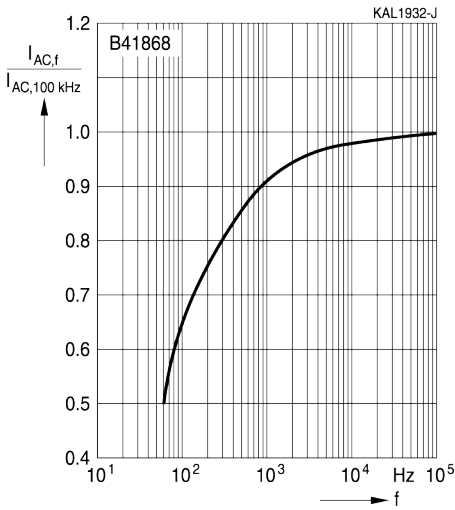
KAL1931-Z-E

Useful life¹⁾

Calculations of useful life are performed on request, based on operational conditions stated by the customer.

1) Refer to chapter "General technical information, 5 Useful life" on how to interpret useful life.

Frequency factor of permissible ripple current I_{AC} versus frequency f



Taping

Single-ended capacitors are available taped in Ammo pack from diameter 8 to 18 mm as follows:

Lead spacing $F = 3.5 \text{ mm}$ ($\text{Ø } d = 8 \text{ mm}$)

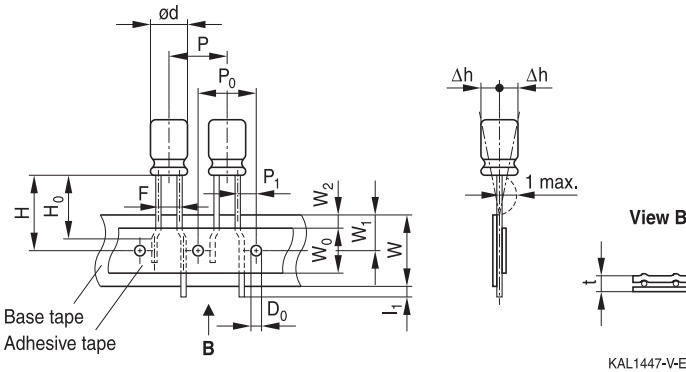
Lead spacing $F = 5.0 \text{ mm}$ ($\text{Ø } d = 8 \dots 12.5 \text{ mm}$)

Lead spacing $F = 7.5 \text{ mm}$ ($\text{Ø } d = 16 \dots 18 \text{ mm}$).

The dimensions for F , P_1 and $l_1 \text{ max.}$ are specified with reference to the center of the terminal wires.

Lead spacing 3.5 mm ($\text{Ø } d = 8 \text{ mm}$)

Last 3 digits of ordering code: 006



KAL1447-V-E

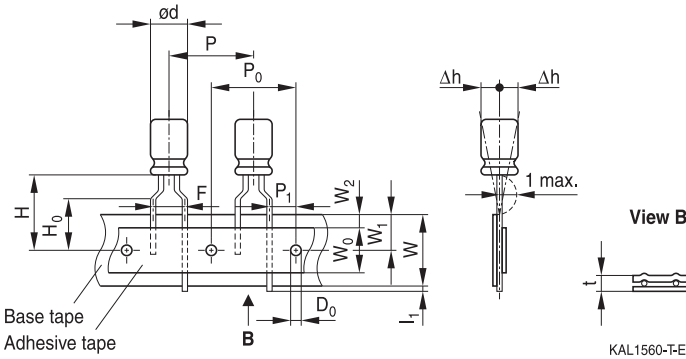
Dimensions in mm

$\text{Ø } d$	F	H	W	W_0	W_1	W_2	P	P_0	P_1	l_1	t	Δh	D_0
8	3.5	18.5	18	9.5	9.0	3.0	12.7	12.7	4.6	1.0	0.7	1.0	4.0
Tolerance	+0.8 -0.2	± 1.0	± 0.5	min.	± 0.5	max.	± 1.0	± 0.3	± 0.6	max.	± 0.2	max.	± 0.2

Leads can also run straight through the taping area.

Single-ended capacitors
B41868
High ripple current, very high operating temperature
Lead spacing 5.0 mm (Ø d = 8 mm)

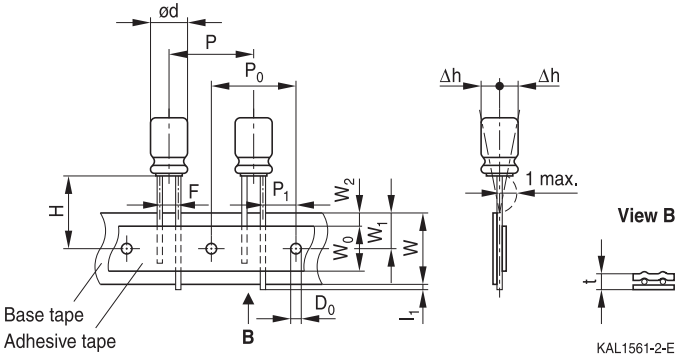
Last 3 digits of ordering code: 008



KAL1560-T-E

Lead spacing 5.0 mm (Ø d = 10 ... 12.5 mm)

Last 3 digits of ordering code: 008



KAL1561-2-E

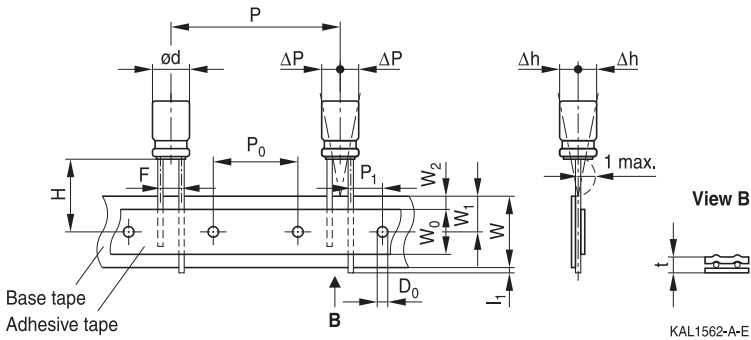
Dimensions in mm

Ø d	F	H	W	W ₀	W ₁	W ₂	H ₀	P	P ₀	P ₁	l ₁	t	Δh	D ₀
8		20.0		9.5			16.0	12.7	12.7	3.85				
10	5.0	19.0	18	9.5	9.0	1.5	—	12.7	12.7	3.85	1.0	0.6	1.0	4.0
12.5		19.0		11.5			—	15.0	15.0	5.0				
Tolerance	+0.8 -0.2	±0.75	±0.5	min.	±0.5	max.	±0.5	±1.0	±0.2	±0.5	max.	+0.3 -0.2	max.	±0.2

Taping is available up to dimensions d x l = 12.5 x 25 mm.

Lead spacing 7.5 mm ($\varnothing d = 16 \dots 18$ mm)

Last 3 digits of ordering code: 009


Dimensions in mm

$\varnothing d$	F	H	W	W_0	W_1	W_2	P	P_0	P_1	l_1	t	ΔP	Δh	D_0
16	7.5	18.5	18.0	12.5	9.0	1.5	30.0	15.0	3.75	1.0	0.7	0	0	4.0
18														
Tolerance	± 0.8	-0.5 $+0.75$	± 0.5	min.	± 0.5	max.	± 1.0	± 0.2	± 0.5	max.	± 0.2	± 1.0	± 1.0	± 0.2

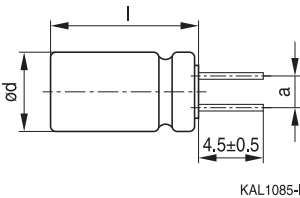
 Taping is available up to dimensions $d \times l = 16 \times 31.5$ mm and 18×31.5 mm.

Cut or kinked leads

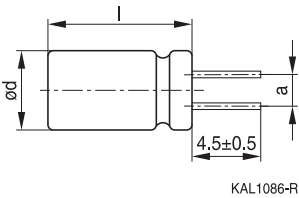
Single-ended capacitors are available with cut or kinked leads.
Other lead configurations also available upon request.

Cut leads

Last 3 digits of ordering code: 002

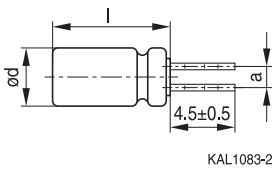
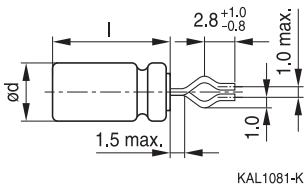
With stand-off rubber seal


Case size d x l (mm)	Dimensions (mm) a ± 0.5
10 x 12.5	5.0
10 x 16	5.0
10 x 20	5.0
12.5 x 20	5.0
12.5 x 25	5.0
16 x 20	7.5
16 x 25	7.5
16 x 31.5	7.5
16 x 35.5	7.5
16 x 40	7.5
18 x 20	7.5
18 x 25	7.5
18 x 31.5	7.5
18 x 35	7.5
18 x 40	7.5

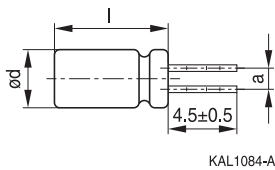
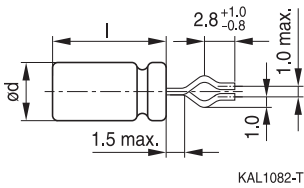
With flat rubber seal


Kinked leads

Last 3 digits of ordering code: 001

With stand-off rubber seal


Case size d x l (mm)	Dimensions (mm) a ±0.5
10 x 20	5.0
12.5 x 20	5.0
12.5 x 25	5.0
16 x 20	7.5
16 x 25	7.5
16 x 31.5	7.5
16 x 35.5	7.5
18 x 20	7.5
18 x 25	7.5
18 x 31.5	7.5
18 x 35	7.5
18 x 40	7.5

With flat rubber seal


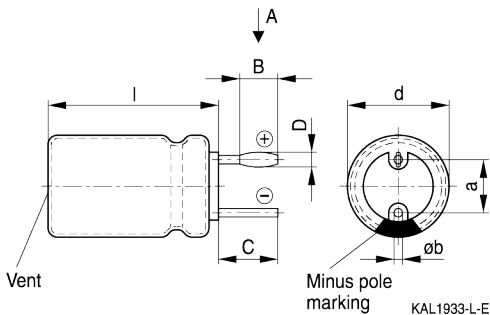
PAPR leads (Protection Against Polarity Reversal)

These lead configurations ensure correct placement of the capacitor on the PCB with regard to polarity. PAPR leads are available for diameters from 10 mm up to 18 mm.

There are three configurations available: Crimped leads, J leads, bent 90° leads.

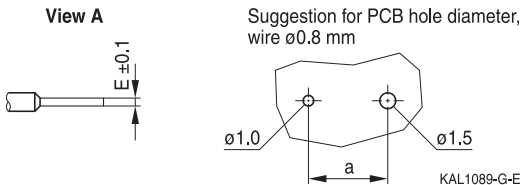
Crimped leads

Last 3 digits of ordering code: 003

With stand-off rubber seal


The series B41868, B41897, B41898 and B41899 have no sleeve.

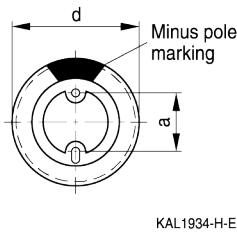
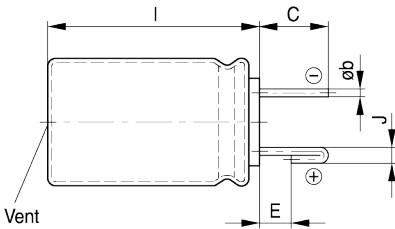
In these series the pole is marked on the aluminum case instead. Refer to the series data sheet for details.

Suggestion for PCB hole diameter


Case size d x l (mm)	Dimensions (mm)					
	B ±0.2	C ±0.5	D ±0.1	E ±0.1	a ±0.5	Ø b
16 x 20	1.5	3.0	1.3	0.3	7.5	0.8 ±0.05
16 x 25	1.5	3.0	1.3	0.3	7.5	0.8 ±0.05
16 x 31.5	1.5	3.0	1.3	0.3	7.5	0.8 ±0.05
16 x 35.5	1.5	3.0	1.3	0.3	7.5	0.8 ±0.05
18 x 20	1.5	3.0	1.3	0.3	7.5	0.8 ±0.1
18 x 25	1.5	3.0	1.3	0.3	7.5	0.8 ±0.1
18 x 31.5	1.5	3.0	1.3	0.3	7.5	0.8 ±0.1
18 x 35	1.5	3.0	1.3	0.3	7.5	0.8 ±0.1
18 x 40	1.5	3.0	1.3	0.3	7.5	0.8 ±0.1

J leads

Last 3 digits of ordering code: 004

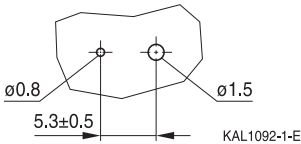


The series B41868, B41897, B41898 and B41899 have no sleeve.

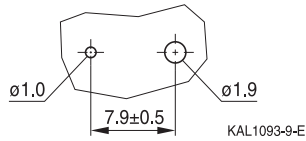
In these series the pole is marked on the aluminum case instead. Refer to the series data sheet for details.

Suggestion for PCB hole diameter

Suggestion for PCB hole diameter, wire $\varnothing 0.6$ mm



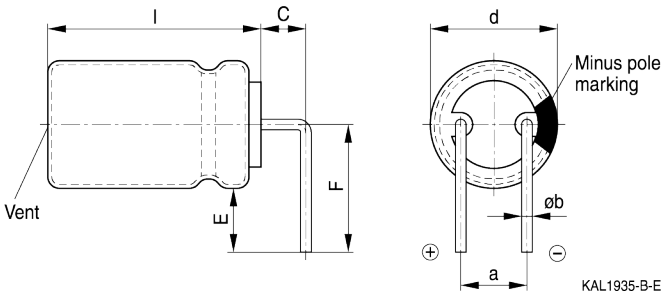
Suggestion for PCB hole diameter, wire $\varnothing 0.8$ mm



Case size d x l (mm)	Dimensions (mm)				
	C ±0.5	E ±0.5	J ±0.2	a ±0.5	Ø b
10 x 12.5	3.2	0.7	1.2	5.0	0.6 ±0.05
10 x 16	3.2	0.7	1.2	5.0	0.6 ±0.05
10 x 20	3.2	0.7	1.2	5.0	0.6 ±0.05
12.5 x 20	3.2	0.7	1.2	5.0	0.6 ±0.05
12.5 x 25	3.2	0.7	1.2	5.0	0.6 ±0.05
16 x 20	3.5	0.7	1.6	7.5	0.8 ±0.05
16 x 25	3.5	0.7	1.6	7.5	0.8 ±0.05
16 x 31.5	3.5	0.7	1.6	7.5	0.8 ±0.05
16 x 35.5	3.5	0.7	1.6	7.5	0.8 ±0.05
16 x 40	3.5	0.7	1.6	7.5	0.8 ±0.05
18 x 20	3.5	0.7	1.6	7.5	0.8 ±0.1
18 x 25	3.5	0.7	1.6	7.5	0.8 ±0.1
18 x 31.5	3.5	0.7	1.6	7.5	0.8 ±0.1
18 x 35	3.5	0.7	1.6	7.5	0.8 ±0.1

Bent 90° leads for horizontal mounting pinning

Last 3 digits of ordering code: 012

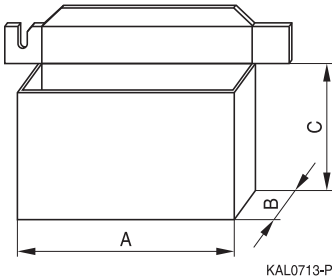


The series B41868, B41897, B41898 and B41899 have no sleeve.

In these series the pole is marked on the aluminum case instead. Refer to the series data sheet for details.

Case size d x l (mm)	Dimensions (mm)				
	C ±0.5	E ±0.5	F ±0.5	a ±0.5	Ø b
16 x 20	4.0	4.0	12.0	7.5	0.8 ±0.05
16 x 25	4.0	4.0	12.0	7.5	0.8 ±0.05
16 x 31.5	4.0	4.0	12.0	7.5	0.8 ±0.05
16 x 35.5	4.0	4.0	12.0	7.5	0.8 ±0.05
16 x 40	4.0	4.0	13.0	7.5	0.8 ±0.05
18 x 20	4.0	4.0	13.0	7.5	0.8 ±0.1
18 x 25	4.0	4.0	13.0	7.5	0.8 ±0.1
18 x 31.5	4.0	4.0	13.0	7.5	0.8 ±0.1
18 x 35	4.0	4.0	13.0	7.5	0.8 ±0.1
18 x 40	4.0	4.0	13.0	7.5	0.8 ±0.1

Bent leads for diameter 12.5 mm available upon request.

Packing units and box dimensions
Ammo pack


Case size d x l (mm)	Dimensions (mm)			Packing units (pcs.)
	A _{max}	B _{max}	C _{max}	
8 x 11.5	345	60	240	1000
10 x 12.5	345	60	280	750
10 x 16	345	65	200	500
10 x 20	345	65	200	500
12.5 x 20	345	65	260	500
12.5 x 25	345	70	260	500
16 x 20	325	65	285	300
16 x 25	325	65	285	300
16 x 31.5	325	80	275	300
18 x 20	325	65	285	250
18 x 25	325	65	285	250
18 x 31.5	325	80	275	250

Overview of packing units and code numbers

					PAPR				
Case size d x l	Standard, bulk	Taped, Ammo pack		Kinked leads, bulk	Cut leads, bulk	Crimped leads, blister	J leads, blister	Bent 90° leads, blister	
mm	pcs.	pcs.		pcs.	pcs.	pcs.	pcs.	pcs.	
8 x 11.5	1000	1000		–	–	–	–		
10 x 12.5	1000	750		–	1000	–	900		
10 x 16	1000	500		–	1000	–	675		
10 x 20	500	500		500	500	–	500		
12.5 x 20	350	500		350	350	–	300	1)	
12.5 x 25	250	500		500	500	–	225	1)	
16 x 20	250	300		200	200	200	200	420	
16 x 25	250	300		200	200	216	216	216	
16 x 31.5	200	300		250	250	180	180	180	
16 x 35.5	100	–		100	100	150	150	150	
16 x 40	125	–		100	100	72	72	72	
18 x 20	175	250		175	175	200	200	420	
18 x 25	150	250		150	150	200	200	200	
18 x 31.5	100	250		100	100	150	150	150	
18 x 35	100	–		100	100	150	150	150	
18 x 40	125	–		100	100	72	–	72	
The last three digits of the complete ordering code state the lead configuration	000	Code	F (mm)	d (mm)	001	002	003	004	012
		006	3.5	8					
		008	5	8...12.5					
		009	7.5	16...18					

1) Available upon request

Cautions and warnings

Personal safety

The electrolytes used have been optimized both with a view to the intended application and with regard to health and environmental compatibility. They do not contain any solvents that are detrimental to health, e.g. dimethyl formamide (DMF) or dimethyl acetamide (DMAC). Furthermore, some of the high-voltage electrolytes used are self-extinguishing.

As far as possible, we do not use any dangerous chemicals or compounds to produce operating electrolytes, although in exceptional cases, such materials must be used in order to achieve specific physical and electrical properties because no alternative materials are currently known.

We do, however, restrict the amount of dangerous materials used in our products to an absolute minimum.

Materials and chemicals used in our aluminum electrolytic capacitors are continuously adapted in compliance with the TDK Electronics Corporate Environmental Policy and the latest EU regulations and guidelines such as RoHS, REACH/SVHC, GADSL, and ELV.

MDS (Material Data Sheets) are available on our website for all types listed in the data book.

MDS for customer specific capacitors are available upon request.

MSDS (Material Safety Data Sheets) are available for our electrolytes upon request.

Nevertheless, the following rules should be observed when handling aluminum electrolytic capacitors: No electrolyte should come into contact with eyes or skin. If electrolyte does come into contact with the skin, wash the affected areas immediately with running water. If the eyes are affected, rinse them for 10 minutes with plenty of water. If symptoms persist, seek medical treatment. Avoid inhaling electrolyte vapor or mists. Workplaces and other affected areas should be well ventilated. Clothing that has been contaminated by electrolyte must be changed and rinsed in water.

Product safety

The table below summarizes the safety instructions that must be observed without fail. A detailed description can be found in the relevant sections of separate file chapter "General technical information".

Topic	Safety information	Reference chapter "General technical information"
Polarity	Make sure that polar capacitors are connected with the right polarity.	1 "Basic construction of aluminum electrolytic capacitors"
Reverse voltage	Voltages of opposite polarity should be prevented by connecting a diode.	3.1.6 "Reverse voltage"
Mounting position of capacitors with screw or multi-pin terminals	Multi-pin capacitors with pressure relief vent on the can base must not be mounted with terminals facing up unless otherwise specified.	11.1 "Mounting positions of capacitors with screw or multi-pin terminals"
Robustness of terminals	The following maximum tightening torques must not be exceeded when connecting screw terminals: M5: 2.5 Nm M6: 4.0 Nm	11.2 "Mounting torques"
Mounting of single-ended capacitors	The internal structure of single-ended capacitors might be damaged if excessive force is applied to the lead wires. Avoid any compressive, tensile or flexural stress. Do not move the capacitor after soldering to PC board. Do not pick up the PC board by the soldered capacitor. Do not insert the capacitor on the PC board with a hole space different to the lead space specified.	11.3 "Mounting considerations for single-ended capacitors"
Soldering	Do not exceed the specified time or temperature limits during soldering.	11.5 "Soldering"
Soldering, cleaning agents	Do not allow halogenated hydrocarbons to come into contact with aluminum electrolytic capacitors.	11.6 "Cleaning agents"
Upper category temperature	Do not exceed the upper category temperature.	7.2 "Maximum permissible operating temperature"
Passive flammability	Avoid external energy, e.g. fire.	8.1 "Passive flammability"

Topic	Safety information	Reference chapter "General technical information"
Active flammability	Avoid overload of the capacitors.	8.2 "Active flammability"
Maintenance	Make periodic inspections of the capacitors. Before the inspection, make sure that the power supply is turned off and carefully discharge the capacitors. Do not apply excessive mechanical stress to the capacitor terminals when mounting.	10 "Maintenance"
Storage	Do not store capacitors at high temperatures or high humidity. Capacitors should be stored at +5 to +35 °C and a relative humidity of $\leq 75\%$.	7.3 "Shelf life and storage conditions"
		Reference chapter "Capacitors with screw terminals"
Breakdown strength of insulating sleeves	Do not damage the insulating sleeve, especially when ring clips are used for mounting.	"Screw terminals – accessories"

Display of ordering codes for TDK Electronics products

The ordering code for one and the same product can be represented differently in data sheets, data books, other publications, on the company website, or in order-related documents such as shipping notes, order confirmations and product labels. The varying representations of the ordering codes are due to different processes employed and do not affect the specifications of the respective products.

Detailed information can be found on the Internet under www.tdk-electronics.tdk.com/orderingcodes.

Symbols and terms

Symbol	English	German
C	Capacitance	Kapazität
C_R	Rated capacitance	Nennkapazität
C_S	Series capacitance	Serienkapazität
$C_{S,T}$	Series capacitance at temperature T	Serienkapazität bei Temperatur T
C_f	Capacitance at frequency f	Kapazität bei Frequenz f
d	Case diameter, nominal dimension	Gehäusedurchmesser, Nennmaß
d_{max}	Maximum case diameter	Maximaler Gehäusedurchmesser
ESL	Self-inductance	Eigeninduktivität
ESR	Equivalent series resistance	Ersatzserienwiderstand
ESR_f	Equivalent series resistance at frequency f	Ersatzserienwiderstand bei Frequenz f
ESR_T	Equivalent series resistance at temperature T	Ersatzserienwiderstand bei Temperatur T
f	Frequency	Frequenz
I	Current	Strom
I_{AC}	Alternating current (ripple current)	Wechselstrom
$I_{AC,RMS}$	Root-mean-square value of alternating current	Wechselstrom, Effektivwert
$I_{AC,f}$	Ripple current at frequency f	Wechselstrom bei Frequenz f
$I_{AC,max}$	Maximum permissible ripple current	Maximal zulässiger Wechselstrom
$I_{AC,R}$	Rated ripple current	Nennwechselstrom
I_{leak}	Leakage current	Reststrom
$I_{leak,op}$	Operating leakage current	Betriebsreststrom
l	Case length, nominal dimension	Gehäuselänge, Nennmaß
l_{max}	Maximum case length (without terminals and mounting stud)	Maximale Gehäuselänge (ohne Anschlüsse und Gewindebolzen)
R	Resistance	Widerstand
R_{ins}	Insulation resistance	Isolationswiderstand
R_{symm}	Balancing resistance	Symmetrierwiderstand
T	Temperature	Temperatur
ΔT	Temperature difference	Temperaturdifferenz
T_A	Ambient temperature	Umgebungstemperatur
T_B	Capacitor base temperature	Temperatur des Gehäusebodens
T_C	Case temperature	Gehäusetemperatur
t	Time	Zeit
Δt	Period	Zeitraum
t_b	Service life (operating hours)	Brauchbarkeitsdauer (Betriebszeit)
V	Voltage	Spannung
V_F	Forming voltage	Formierspannung
V_{op}	Operating voltage	Betriebsspannung
V_R	Rated voltage, DC voltage	Nennspannung, Gleichspannung
V_S	Surge voltage	Spitzenspannung
X_C	Capacitive reactance	Kapazitiver Blindwiderstand

Symbol	English	German
X_L	Inductive reactance	Induktiver Blindwiderstand
Z	Impedance	Scheinwiderstand
Z_T	Impedance at temperature T	Scheinwiderstand bei Temperatur T
$\tan \delta$	Dissipation factor	Verlustfaktor
λ	Failure rate	Ausfallrate
ϵ_0	Absolute permittivity	Elektrische Feldkonstante
ϵ_r	Relative permittivity	Dielektrizitätszahl
ω	Angular frequency; $2 \cdot \pi \cdot f$	Kreisfrequenz; $2 \cdot \pi \cdot f$

Note:

All dimensions are given in mm.

Important notes

The following applies to all products named in this publication:

1. Some parts of this publication contain **statements about the suitability of our products for certain areas of application**. These statements are based on our knowledge of typical requirements that are often placed on our products in the areas of application concerned. We nevertheless expressly point out **that such statements cannot be regarded as binding statements about the suitability of our products for a particular customer application**. As a rule, we are either unfamiliar with individual customer applications or less familiar with them than the customers themselves. For these reasons, it is always ultimately incumbent on the customer to check and decide whether a product with the properties described in the product specification is suitable for use in a particular customer application.
2. We also point out that **in individual cases, a malfunction of electronic components or failure before the end of their usual service life cannot be completely ruled out in the current state of the art, even if they are operated as specified**. In customer applications requiring a very high level of operational safety and especially in customer applications in which the malfunction or failure of an electronic component could endanger human life or health (e.g. in accident prevention or life-saving systems), it must therefore be ensured by means of suitable design of the customer application or other action taken by the customer (e.g. installation of protective circuitry or redundancy) that no injury or damage is sustained by third parties in the event of malfunction or failure of an electronic component.
3. **The warnings, cautions and product-specific notes must be observed.**
4. In order to satisfy certain technical requirements, **some of the products described in this publication may contain substances subject to restrictions in certain jurisdictions (e.g. because they are classed as hazardous)**. Useful information on this will be found in our Material Data Sheets on the Internet (www.tdk-electronics.tdk.com/material). Should you have any more detailed questions, please contact our sales offices.
5. We constantly strive to improve our products. Consequently, **the products described in this publication may change from time to time**. The same is true of the corresponding product specifications. Please check therefore to what extent product descriptions and specifications contained in this publication are still applicable before or when you place an order.
We also **reserve the right to discontinue production and delivery of products**. Consequently, we cannot guarantee that all products named in this publication will always be available. The aforementioned does not apply in the case of individual agreements deviating from the foregoing for customer-specific products.
6. Unless otherwise agreed in individual contracts, **all orders are subject to our General Terms and Conditions of Supply**.

Important notes

7. **Our manufacturing sites serving the automotive business apply the IATF 16949 standard.**
The IATF certifications confirm our compliance with requirements regarding the quality management system in the automotive industry. Referring to customer requirements and customer specific requirements (“CSR”) TDK always has and will continue to have the policy of respecting individual agreements. Even if IATF 16949 may appear to support the acceptance of unilateral requirements, we hereby like to emphasize that **only requirements mutually agreed upon can and will be implemented in our Quality Management System.** For clarification purposes we like to point out that obligations from IATF 16949 shall only become legally binding if individually agreed upon.
8. The trade names EPCOS, CarXield, CeraCharge, CeraDiode, CeraLink, CeraPad, CeraPlas, CSMP, CTVS, DeltaCap, DigiSiMic, ExoCore, FilterCap, FormFit, InsuGate, LeaXield, MiniBlue, MiniCell, MKD, MKK, ModCap, MotorCap, PCC, PhaseCap, PhaseCube, PhaseMod, PhiCap, PowerHap, PQSine, PQvar, SIFERRIT, SIFI, SIKOREL, SilverCap, SIMDAD, SiMic, SIMID, SineFormer, SIOV, ThermoFuse, WindCap, XieldCap are **trademarks registered or pending** in Europe and in other countries. Further information will be found on the Internet at www.tdk-electronics.tdk.com/trademarks.

Release 2022-07