



SMT gate-drive transformers

InsuGate series

Series/Type: **B78541A**

Date: August 2023

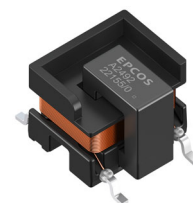
SMT gate-drive transformers

InsuGate series

B78541A

Construction

- Ferrite core MnZn
- SMD gullwing pins
- Triple insulated wire class F (155 °C)
- Bobbin material class CTI ≥ 600



Features

- Height ≤ 10 mm
- Small SMD package
- Flat L vs. temperature curve
- Coupling capacity typ. 4 pF
- RoHS compatible
- Qualified to AEC-Q200
- Wide temperature range up to +150 °C

Applications

- Switch-mode power supplies (bridge topologies)
- Gate-driver circuits
- Isolated DC/DC converters
- Galvanic-isolated single-channel IGBT driver IC

Insulation characteristics

- Plastic material UL94V-0, CTI ≥ 600 (class I)
- (N1, Core) / N2 creepage ≥ 9.2 mm, clearance ≥ 8.14 mm
- Insulated wire acc. IEC 61558-1 annex K, temp. class F (155 °C)
- Reinforced insulation ¹⁾ (N1, core) / N2, U_{OP} 300 V_{AC}
- Basic insulation ¹⁾ (N1, core) / N2, U_{OP} 700 V_{DC peak}

Marking

- Product brand, middle block of ordering code, date code, pin 1 marker, production place identification code

Delivery mode

- Blister tape 330 mm diameter
- Packing unit: 270 pcs per reel

1) Refer to IEC 61558-1/2-16:2020: Reinforced insulation U_{OP} 300 V AC, OVC II, P2, altitude ≤ 5 km;
Basic insulation U_{OP} 700 V_{DC peak}, max. transients V_{PEAK} 2.5 kV, P2, altitude ≤ 5 km.

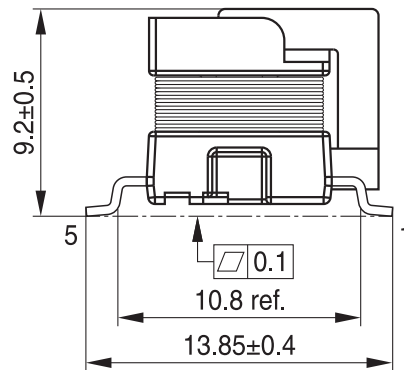
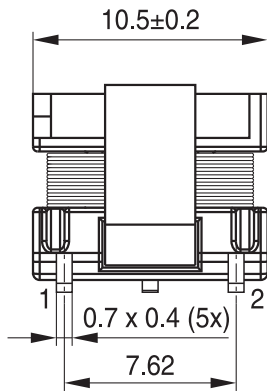
SMT gate-drive transformers

InsuGate series

B78541A

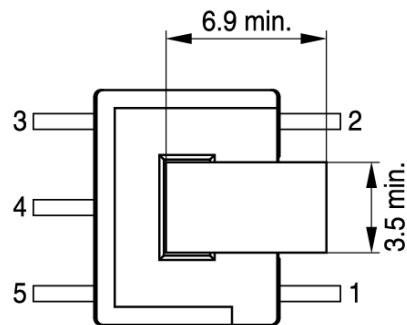
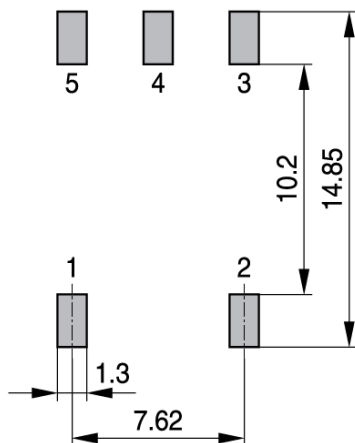
Dimensional drawing and recommendation

Dimensions in mm



IND2099-6-E

Recommended PCB layout (Top view)



IND2197-C-E

SMT gate-drive transformers

InsuGate series

B78541A

Technical data and measuring conditions

Specified at +25 °C if not mentioned otherwise, all values without tolerances are typical values.

Typical operational frequency	100 ... 500 kHz
High voltage test AC (N1, core) / N2	3 kV _{RMS} , 50 Hz, 1 sec
High voltage type test AC, (N1, core) / N2	3.75 kV _{RMS} , 50 Hz, 60 sec
Insulation resistance R _{ISO} (N1, core) / N2	>100 MΩ
Partial discharge inception voltage (N1, core) / N2	>1050 V _{peak} (type test)
Partial discharge extinction voltage (N1, core) / N2	>840 V _{peak} (type test)
Surge voltage test (N1, core) / N2, type test	6 kV _{peak} ; 1.2/50 μs
Creepage distance (N1, core) / N2	≥9.2 mm
Clearance distance (N1, core) / N2	≥8.14 mm
Resistance to reflow soldering heat	In accordance with JEDEC J-STD-020D T _{peak} = +245 °C (T _{peak} -5 °C for 30 seconds)
Operating temperature range	-40 °C ... +150 °C (component)
Storage conditions	-25 °C ... +40 °C, humidity ≤75% RH
Weight	Approx. 2 g

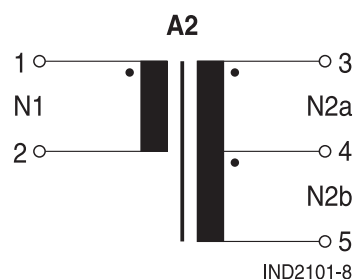
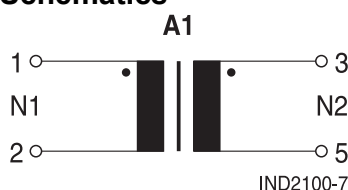
Characteristics and ordering codes

Ordering code	Turns ratio N1:N2 or N1:N2a:N2b	L _{N1} μH @100 kHz, 100 mV	L _{leak, typ} μH @N2 shorted	E*dt _{N1} ¹⁾ μVs (unipolar/ bipolar), @T<150 °C	R _{DC,N1} mΩ
B78541A2467A003	1 : 1.08	≥ 50	0.6	15 / 30	250
B78541A2492A003	1 : 1.07 : 0.6	≥ 50	0.7	15 / 30	420

1) T ≤ 150 °C, \hat{B} = 200 mT, ΔB = 400 mT (bipolar mode). The maximum volt-sec rating limits the peak flux density to \hat{B} = 200 mT when used in a unipolar drive application. For bipolar drive applications, a maximum volt-sec of two times is acceptable (ΔB 400 mT).

Ordering code	R _{DC,N2a} mΩ	R _{DC,N2b} mΩ	C _{pN1/N2} pF @20 kHz, 1 V	Schematic
B78541A2467A003	250	n.a.	4	A1
B78541A2492A003	350	240	4	A2

Schematics



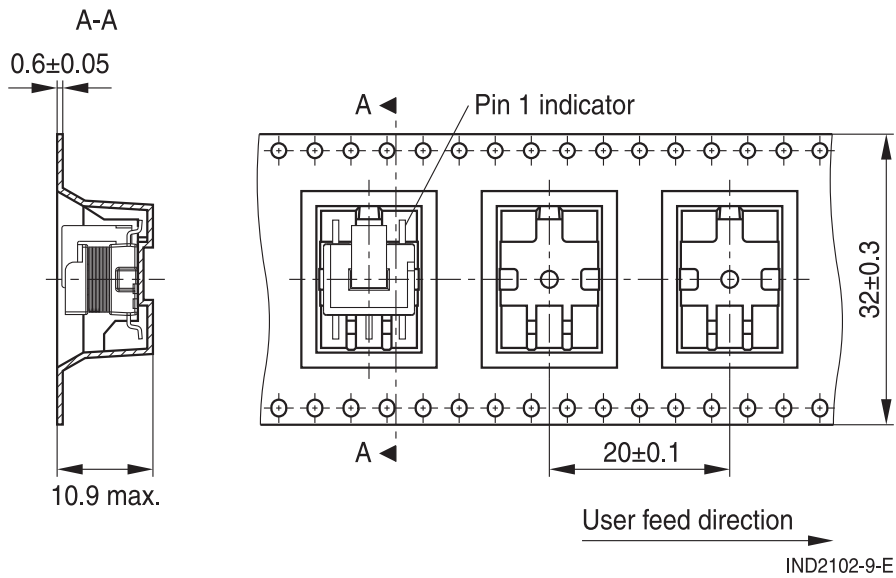
SMT gate-drive transformers

InsuGate series

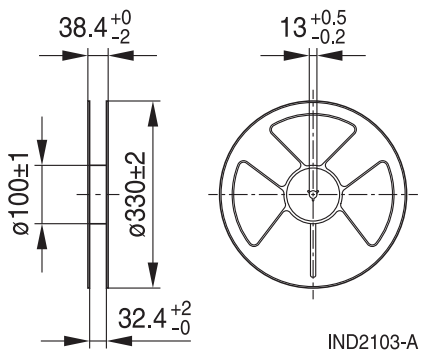
B78541A

Taping and packing

Blister tape



Reel



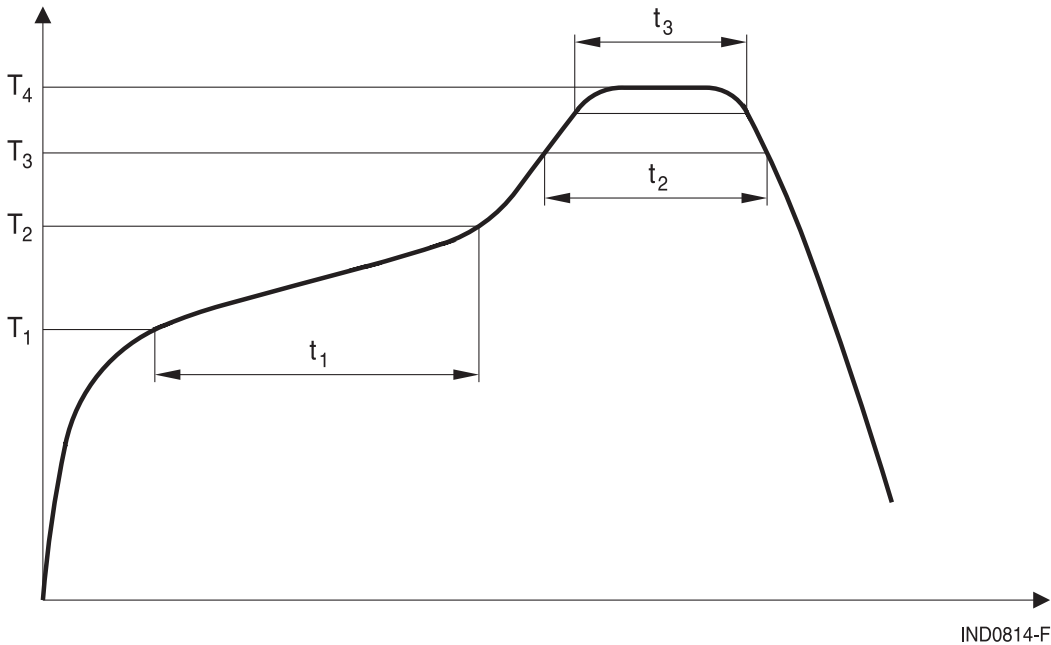
SMT gate-drive transformers

InsuGate series

B78541A

Recommended reflow soldering curve

Pb-free solder material (based on JEDEC J-STD 020E)



T_1 °C	T_2 °C	T_3 °C	T_4 °C	t_1 s	t_2 s	t_3 s
150	200	217	245	60 – 120	60 – 150	< 30 at $T_4 - 5$ °C

Time from +24 °C to T_4 : max. 480 s

Maximal numbers of reflow cycles: 3

Cautions and warnings

- Please note the recommendations in our Inductors data book (latest edition), online catalogs and in the data sheets.
 - Particular attention should be paid to the derating curves, if given. Derating applies in the case the ambient temperature in application exceeds the rated temperature of the component.
 - Ensure the operation temperature of the component in application, not to exceed the maximum specified value or the upper climatic category temperature.
 - The soldering conditions should also be observed. Temperatures quoted in relation to wave soldering refer to the pin, not the housing.
- If the components are to be washed varnished it is necessary to check whether the washing varnish agent that is used has a negative effect on the wire insulation, any plastics that are used, or on glued joints. It is possible for washing varnish agent residues to have a negative effect in the long-term on wire insulation.

Washing processes may damage the product due to the possible static or cyclic mechanical loads (e.g., ultrasonic cleaning). They may cause cracks to develop on the product and its parts, which might lead to reduced reliability or lifetime.
- The following points must be observed if the components are potted, sealed, or varnished in customer applications:
 - Many potting, sealing or varnishing materials shrink as they harden. They therefore exert a pressure on the plastic housing or core. This pressure can have a deleterious effect on electrical properties, and in extreme cases can damage the core or plastic housing mechanically.
 - It is necessary to check whether the potting, sealing or varnishing materials used attacks or destroys the wire insulation, plastics, or glue.
 - The effect of the potting, sealing, or varnishing materials may change the high-frequency behavior of the components.
- Magnetic core materials such as ferrites are sensitive to direct impact. This can cause the core material to flake or lead to breakage of the magnetic core material.
- Any type of tension or pressure on the product may result in damage and affect its functionality and reliability.
 - The products are only to be attached to fixings or mounting holes provided for this purpose in accordance with the data sheet.
 - If additional mechanical forces are applied to the component, e.g., application of gap pads, it is necessary to check whether they attack or destroy any part of the component.
 - It is not permitted for the product specified in the data sheet to assume a mechanical function in the final application.
- Inductance value can drop if external metallic or magnetic parts will be put close to the coil or into the air gap of the coil or core or magnetic material.
- Even for customer-specific products, conclusive validation of the component in the circuit can only be carried out by the customer.

Display of ordering codes for TDK Electronics products

The ordering code for one and the same product can be represented differently in data sheets, data books, other publications, on the company website, or in order-related documents such as shipping notes, order confirmations and product labels. **The varying representations of the ordering codes are due to different processes employed and do not affect the specifications of the respective products.** Detailed information can be found on the Internet under www.tdk-electronics.tdk.com/orderingcodes.

Important notes

The following applies to all products named in this publication:

1. Some parts of this publication contain **statements about the suitability of our products for certain areas of application**. These statements are based on our knowledge of typical requirements that are often placed on our products in the areas of application concerned. We nevertheless expressly point out **that such statements cannot be regarded as binding statements about the suitability of our products for a particular customer application**. As a rule, we are either unfamiliar with individual customer applications or less familiar with them than the customers themselves. For these reasons, it is always ultimately incumbent on the customer to check and decide whether a product with the properties described in the product specification is suitable for use in a particular customer application.
2. We also point out that **in individual cases, a malfunction of electronic components or failure before the end of their usual service life cannot be completely ruled out in the current state of the art, even if they are operated as specified**. In customer applications requiring a very high level of operational safety and especially in customer applications in which the malfunction or failure of an electronic component could endanger human life or health (e.g. in accident prevention or life-saving systems), it must therefore be ensured by means of suitable design of the customer application or other action taken by the customer (e.g. installation of protective circuitry or redundancy) that no injury or damage is sustained by third parties in the event of malfunction or failure of an electronic component.
3. **The warnings, cautions and product-specific notes must be observed.**
4. In order to satisfy certain technical requirements, **some of the products described in this publication may contain substances subject to restrictions in certain jurisdictions (e.g. because they are classed as hazardous)**. Useful information on this will be found in our Material Data Sheets on the Internet (www.tdk-electronics.tdk.com/material). Should you have any more detailed questions, please contact our sales offices.
5. We constantly strive to improve our products. Consequently, **the products described in this publication may change from time to time**. The same is true of the corresponding product specifications. Please check therefore to what extent product descriptions and specifications contained in this publication are still applicable before or when you place an order.
We also **reserve the right to discontinue production and delivery of products**. Consequently, we cannot guarantee that all products named in this publication will always be available. The aforementioned does not apply in the case of individual agreements deviating from the foregoing for customer-specific products.
6. Unless otherwise agreed in individual contracts, **all orders are subject to our General Terms and Conditions of Supply**.

Important notes

7. **Our manufacturing sites serving the automotive business apply the IATF 16949 standard.** The IATF certifications confirm our compliance with requirements regarding the quality management system in the automotive industry. Referring to customer requirements and customer specific requirements (“CSR”) TDK always has and will continue to have the policy of respecting individual agreements. Even if IATF 16949 may appear to support the acceptance of unilateral requirements, we hereby like to emphasize that **only requirements mutually agreed upon can and will be implemented in our Quality Management System.** For clarification purposes we like to point out that obligations from IATF 16949 shall only become legally binding if individually agreed upon.
8. The trade names EPCOS, CarXield, CeraCharge, CeraDiode, CeraLink, CeraPad, CeraPlas, CSMP, CTVS, DeltaCap, DigiSiMic, FilterCap, FormFit, InsuGate, LeaXield, MediPlas, MiniBlue, MiniCell, MKD, MKK, ModCap, MotorCap, PCC, PhaseCap, PhaseCube, PhaseMod, PhiCap, PiezoBrush, PlasmaBrush, PowerHap, PQSine, PQvar, SIFERRIT, SIFI, SIKOREL, SilverCap, SIMDAD, SiMic, SIMID, SineFormer, SIOV, ThermoFuse, WindCap, XieldCap are **trademarks registered or pending** in Europe and in other countries. Further information will be found on the Internet at www.tdk-electronics.tdk.com/trademarks.

Release 2023-08